



rugged. interactive

Freedom Gaming

Order and Installation Manual

For models from November 2020 onwards



Rugged Interactive

Unit 1, Callywith Court
Callywith Industrial Estate, Bodmin
Cornwall, UK
PL231 2RQ

+44 (0) 1726 981 123

www.rugged-interactive.co.uk

hello@rugged-interactive.co.uk

Updated: 30/08/2023



Rugged Interactive
Unit 1, Callywith Court
Callywith Industrial Estate, Bodmin
Cornwall, UK
PL31 2RQ

+44 (0) 1726 981 123
www.rugged-interactive.co.uk
hello@rugged-interactive.co.uk

Contents

Section 1 – Ordering Process

- 1.1 Need to Know
- 1.2 Order and Installation Checklist
- 1.3 Product Overview
- 1.4 Ordering and Installation Timeline
- 1.5 Getting Started
- 1.6 Place Order

Section 2 – Safety Guidelines

- 2.1 Installation Safety Guidelines
- 2.2 In Play Safety Guidelines

Section 3 – Installation

- 3.1 Parts List
- 3.2 Tools and Components List
- 3.3 Installation Overview
- 3.4 Detailed Installation

Section 4 – How to Use

Section 5 – Programs Guide

Freedom Gaming System Specifications

Freedom Gaming Installation Checklist

Next Steps



Rugged Interactive

Unit 1, Callywith Court
Callywith Industrial Estate, Bodmin
Cornwall, UK
PL31 2RQ

+44 (0) 1726 981 123

www.rugged-interactive.co.uk

hello@rugged-interactive.co.uk

Section 1 – Ordering Process

1.1 - Need to Know

Installation manual purpose and limitations

This manual is intended to provide guidance only, the installation of the Rugged Interactive product will be under your control. You will be responsible for making sure, upon completion of the installation, it is safe to use. As always, we are here to support you, please get in touch if you are in any doubt.

Regulations

Some countries and states have regulations which may be applicable to the Rugged Interactive products, it is your responsibility to check that the product complies with such regulations. This should be conducted during the planning phase for the installation location.



Rugged Interactive

Unit 1, Callywith Gate
Callywith Industrial Estate, Bodmin
Cornwall, UK
PL31 2RQ

+44 (0) 1726 981 123

www.rugged-interactive.co.uk

hello@rugged-interactive.co.uk

1.2 - Order and Installation Checklist

- Contact the Rugged Interactive sales team or a partner / distributor to begin the process.
- Confirm the invoice and delivery address along with date required (lead time is at least 5 weeks), VAT number required for export customers.
- Complete site survey.
- Send purchase order or confirm order.
- Make first payment.
- Discuss graphic requirements and provide logos and branding guidelines.
- Approve graphics.
- Make second payment (required a week before dispatch).
- Schedule time and team members for installation.
- Before install, confirm all tools and components are prepared.
- Organise shipment (Customer collection or delivery organised by Rugged Interactive).
- Receive your order.
- Install the product.
- Test and complete installation checklist.
- Train the team on how to use the product.
- Reveal your new Rugged Interactive product to your guests and customers!



Rugged Interactive
Unit 1, Callywith Gate
Callywith Industrial Estate, Bodmin
Cornwall, UK
PL31 2RQ

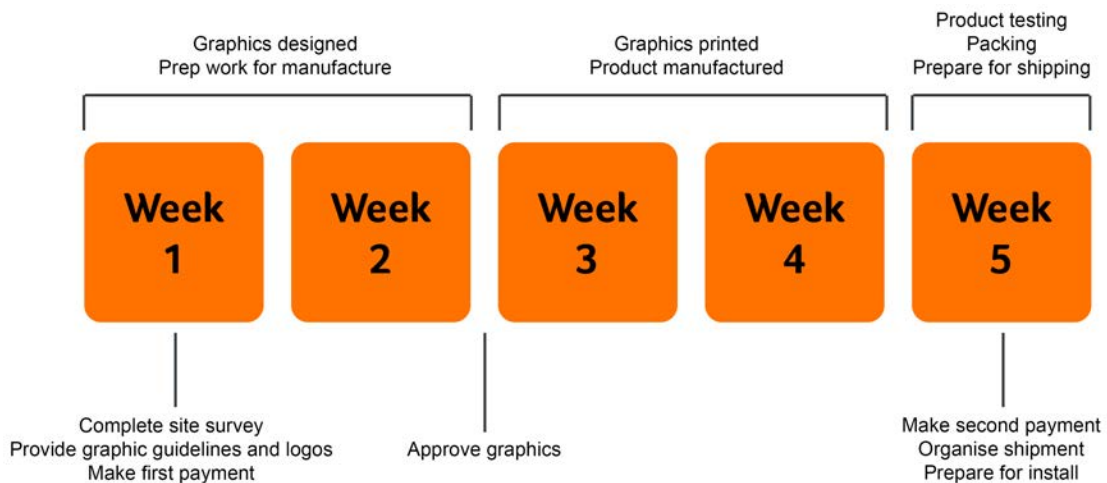
+44 (0) 1726 981 123
www.rugged-interactive.co.uk
hello@rugged-interactive.co.uk

1.3 – Freedom Gaming Overview

A large area interactive game that can be played in teams or as individuals. Scale obstacles and crawl through tunnels to find the Freedom Gaming pods illuminated in your team's colour. Pods can be awarded different values to make the harder to reach ones more enticing. Live leader boards keep players up to date with the score and at the end of the game time, the winning team is revealed. With daily, weekly and all-time leader boards, can your team take the top spot?

Great for events and parties. Available in a variety of pod quantities to suit any size of area.

1.4 - Order and Installation Timeline



*We do our best to ensure orders are ready on a five-week lead time, however during busy periods or for large orders, the lead time may be longer than outlined here. Lead time will also be affected by graphics guidelines, approval and payment delays.



Rugged Interactive

Unit 1, Callywith Court
Callywith Industrial Estate, Bodmin
Cornwall, UK
PL31 2RQ

+44 (0) 1726 981 123

www.rugged-interactive.co.uk

hello@rugged-interactive.co.uk

1.5 - Getting Started

New Parks

During the design process for the new park, incorporate the intended products into the design, product specifications can be found within this manual for the relevant product and CAD files can be supplied upon request.

Existing Parks

When retrofitting existing parks, all specifications can be found within this manual or CAD files are available at request. If further information is required, please get in touch and we will be able to provide further information and guidance.

1.6 - Place Order

To begin the order process with Rugged Interactive:

Email:

Sales@rugged-interactive.co.uk

Or call the Sales Office:

+44 (0) 7585 955 184

HQ/Production Address:

Unit 1 Callywith Court
Callywith Ind. Estate,
Bodmin,
Cornwall
UK
PL31 2RQ

Sales Office Address:

Rugged Interactive,
Future Space,
UWE North Gate,
Filton Road,
Bristol,
UK
BS34 8RB



Rugged Interactive
Unit 1, Callywith Court
Callywith Industrial Estate, Bodmin
Cornwall, UK
PL31 2RQ

+44 (0) 1726 981 123
www.rugged-interactive.co.uk
hello@rugged-interactive.co.uk

Section 2 - Safety Guidelines

2.1 Installation Safety Guidelines

Before installing any Rugged Interactive product, please read the following:

Dos:

- Ensure that a Site Survey form has been completed prior to installation.
- Have ready suitable equipment, tools and/or man power.
- Observe correct manual handling techniques whilst moving and installing the equipment.
- If being installed onto a wall, the product **MUST** be mounted onto a wall of a construction capable of supporting its weight and gameplay. If possible, avoid stud walls or unsupported portal infills. If in doubt always contact a suitably qualified surveyor to check.
- Visually check the product for any signs of damage, component failure and/or missing parts.
- To prevent electric shock, keep all electric components away from contact with water.
- Ensure to take anti-static precautions.
- Wear appropriate clothing: do not wear loose clothing or jewellery.
- Long hair should be tied back.
- Tidy back loose cables that could become a tripping hazard.
- Ensure that the playing area is clear.
- Immediately inform Rugged Interactive for maintenance advice if you have concerns.

Don'ts:

- Do not wear shoes with leather soles or high heels.
- Do not use any tools that are not specifically recommended by the manufacturer.
- Do not use the surface of the trampoline to balance ladders or alike.
- Do not distract others while they are installing the product.

2.2 In Play Safety Guidelines

Please ensure you read the following points before using the equipment:

This activity can be great fun, but it can also be dangerous. There is a risk of serious injury if care is not taken when using the equipment. Use of this equipment is physically demanding: this is a high-impact, full body activity which requires intense focus, awareness of your body's strengths and limitations, awareness of the environment around you and extreme caution.

Dos:

- Before beginning any exercise program, it is recommended that you consult with your doctor.
- Children under the age of 7 years must always be supervised by an adult (over 16 years) when using the equipment and/or recommended accessories.
- Visually check the equipment before using it for any signs of damage, component failure or loose cables that could become a tripping hazard. Report any concerns, e.g. loose or damaged equipment, to a member of staff immediately.
- Ensure you familiarise yourself with any additional facility rules that may apply.
- Ensure that the play area is clear before attempting to participate.
- Only participate if you are in good physical condition. Participate only within your capabilities / recommended exercise level.
- Wear appropriate clothing.
- Remove all items from your pockets prior to participation.
- Long hair should be tied back.
- Before use, loosen up with warm up exercises and stretches.
- Always remain in control. Uncontrolled jumps or falls are likely to result in injuries to yourself and/or others.
- Only those participating are allowed in the activity area. If waiting to participate, stand back at a safe distance from the equipment.
- Make sure you have control before leaving the trampolines, obstacles or activity equipment.
- Report any unusual or inappropriate behaviour to a member of staff immediately.
- If you get tired, leave the equipment / activity area and take a break.
- If you feel any pain, dizziness, nausea or any other abnormal symptoms, **STOP YOUR WORKOUT IMMEDIATELY**. Consult your doctor immediately. Incorrect or excessive training may lead to injuries.

Don'ts:

- No more than one active user on a single trampoline at any one time.
- Do not attempt to use any of the equipment without undertaking instruction / training carried out by an appropriate instructor.
- Do not participate if you are unwell or have any pre-existing medical conditions including heart, back, neck, bone and/or muscle conditions.
- Do NOT work to exhaustion.
- Do not participate if you are or maybe pregnant.
- Do not wear loose clothing or jewellery (including studs and watches). Clothing should not have any hard or sharp points (such as buckles, studs, toggles or alike).
- Do not wear shoes with leather soles, high heels, sandals, boots or bare feet.
- No food, drink or chewing gum during participation.
- No phones or cameras in the activity area.
- Do not leave clothing or personal belongings around the activity areas.
- Do not participate under the influence of alcohol and/or drugs.
- Do not attempt any move beyond your own skill level.
- Never attempt flips or other extreme moves unless you know you are capable and have had the appropriate training.
- No double flips, triple flips, diving or gainers, even if you are capable.
- Do not distract others while they are using the equipment.
- Do not attempt to catch anyone who may fall.
- Do not sit, lie, stand or rest under the activity equipment and/or surrounding padding/mats.
- Never lean on, jump on, climb, grab, or lift any safety pads or safety nets.
- Do not use any accessories that are not specifically recommended by the manufacturer. These might cause injuries or cause the equipment to fail.



Rugged Interactive

Unit 1, Callywith Gate
Callywith Industrial Estate, Bodmin
Cornwall, UK
PL31 2RQ

+44 (0) 1726 981 123

www.rugged-interactive.co.uk

hello@rugged-interactive.co.uk

Section 3 - Installation

3.1 - Parts List

Please check off the received parts for the installation and alert us immediately if anything is missing. Below list is for a 45 pod system, get in touch if an accurate list for your order is required.

- 45 x Freedom Gaming pods. *
- 45 x Pod back plates. *
- 180 x M8 x 20mm Screws for back plates. *
- 180 x M8 Washers for back plates. *
- 5 x Spare pods.
- 1 x Main control box.
- 3 x Remote control box (15 outputs). *
- 1 x 3m USB cable.
- 1 x 3m HDMI cable.
- 2 x Audio cables.
- 45 x 20m Network cables. *
- 1 x Small screen mount.
- 4 x HDMI extender modules.
- 4 x 30m Network Cables (HDMI extension).
- 4 x 1m HDMI cable (large screen to extender module).
- 3 x 30m Network cables (main control to remote control). *
- 2 x Speaker mounts.
- 2 x Speakers.
- 4 x Large screen mounts. *
- 4 x Large screens. *
- 1 x 15" Touch screen.
- 1 x Manual.

*** Adjust quantities to suit order. Contact Rugged Interactive for an accurate list for your order if required.**

3.2 - Tools and Components List

Arrange the necessary tools and the team to install the product.

- Ladder.
- Jigsaw.
- Hole saw.
- Industrial vacuum cleaner.
- Dustpan and brush.
- SDS impact drill.
- Cordless drill – with torque adjuster to avoid over-tightening the screws.
- A set of No.2 Pozi bits.
- A set of screwdrivers.
- A set of Hex keys



Rugged Interactive

Unit 1, Callywith Court
Callywith Industrial Estate, Bodmin
Cornwall, UK
PL31 2RQ

+44 (0) 1726 981 123

www.rugged-interactive.co.uk

hello@rugged-interactive.co.uk

3.3 - Installation Overview

Below is an overview of the steps needed to install Freedom Gaming. More detail for the process is provided in the following pages. Please read through ALL of this prior to beginning the installation and if you are in any doubt, contact Rugged Interactive.

If you have any concerns on how or what the product is installed to, contact a structural engineer prior to beginning the installation.

STEP 1: Assign positions for Pods, Hubs, Control Box and Screens.

STEP 2: Install Hub boxes in suitable positions.

STEP 3: Install Control Box in suitable position, a position near the entrance is recommended.

STEP 4: Install all pods and connect via CAT5 cables to designated Hub.

STEP 5: Install display screens.

STEP 6: Install touch screen, this will need to be within 3m of the Control Box.

STEP 7: Connect all cables all elements are connected to the Control Box.

STEP 8: Check all is secured, stress relief cables.

STEP 9: Turn on and test.

STEP 10: Enjoy Freedom Gaming!



rugged. interactive

Rugged Interactive

Unit 1, Callywith Court
Callywith Industrial Estate, Bodmin
Cornwall, UK
PL31 2RQ

+44 (0) 1726 981 123

www.rugged-interactive.co.uk

hello@rugged-interactive.co.uk

3.4 – Detailed Installation

Read this manual before installing Freedom Gaming.

Installation Guidelines:

- Complete the **Site Survey** form prior to delivery and/or installation.
- Send a completed **Installation Checklist** after any installation to Rugged Interactive.
- A typical installation should take 2 days.
- No obstructions or protrusions in the installation area: e.g. skirting boards, pipes, cables and wiring conduits.
- Avoid trapped and/or pinched cables.
- Use good practice when running data cables to and from products, external pods and sensors. Support long cables at least every 50 cm and provide adequate strain relief for connection points.
- To prevent electric shock, keep all electric components away from contact with water.
- Do not run power cables along or inside metal structures.
- Ensure the install complies with any national electricity regulations.
- **IMPORTANT:** Take anti-static precautions.

Structure:

- Mount onto a suitable surface. Pods should be installed to round or square metal poles, prior to vinyl or padding being added. Screens and Hubs should be installed to a suitable surface, 18 mm plywood (12 mm minimum) mechanically mounted to a steel framework (50 mm box minimum) is recommended. The plywood should be covered with foam-backed vinyl.
- Avoid clashing the steel uprights with the fixing holes.
- Do not fix to plasterboard faced partition. Avoid stud walls or unsupported portal infills.
- The layout of the Freedom gaming pods is at the discretion of the installer.

Fixings:

- The manufacturer will supply fixings and plugs.
- All fixings must be tight and secure.

Installation Heights:

- Take into consideration the primary user groups when determining the installation height.
- Display screens should be out of reach of users but easily visible.
- The touchscreen will be required to set up and start games so an appropriate position will be necessary to allow this without obstructing the current game being played.
- **IMPORTANT:** the pods must be within 20m of the Hub box they service.

Operating Environment:

- Keep out of direct sunlight; bright sunlight can affect the LED pod sensors.
- Keep indoors and dry.
- Optimum ambient temperature: 5°C to 30°C. Avoid extreme fluctuations of temperature.

Other Recommendations:

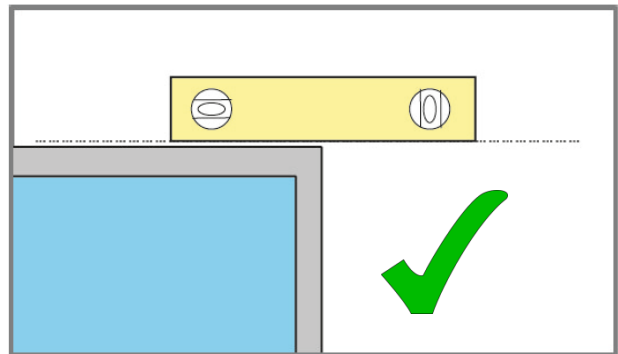
- Instruction / training carried out by an appropriate instructor to all new users.
- A waiting / spectating area positioned nearby is advised.

IF YOU ARE IN ANY DOUBT, CALL RUGGED INTERACTIVE DIRECTLY ON +44 (0) 1726 833 882.

Freedom Gaming HUB Box Installation

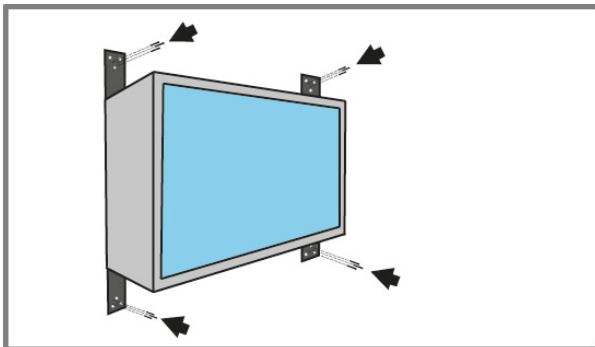
- The HUB Box contains the HUB that controls a set of 15 pods (requires 1 power socket per HUB box).
- Each Pod cable is numbered 1-15 and each HUB numbered A, B, C etc.
- Fix HUB using any suitable self-tapping or wood screws into the surface material or strong cable ties if suspending outside of the arena play area.
- The HUB does not need to be visible so a position to assist the installation is recommended.
- The HUB will need to connect to the Control Box via a CAT5 Cable.
- **Note:** Cables exit is at the rear of the box.

01



Hold the main body in place, and ensure it is level.

02



Use appropriate fixings and mount the Hub box to an appropriate position.



Note: Make sure everything is tight and secure and that no cables are trapped.



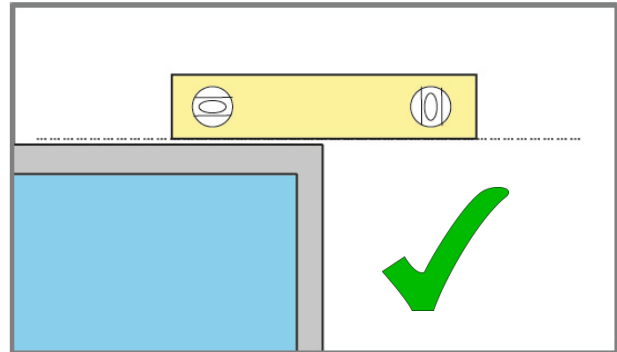
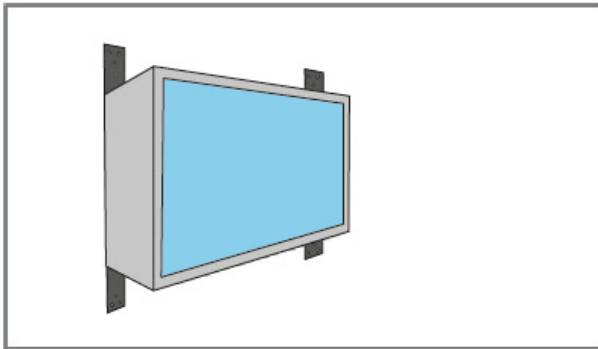
Note: The rear box can be used to coil and hide cable excess.

All cables will be numbered 1 – 15 and each HUB box assigned a letter (A,B,C ...), the installer should record on an illustration of the equipment the position and number of each pod, i.e A12, B5, C15 etc. A copy should then be submitted to Rugged Interactive as well as a second copy being left with the park manager. This will assist with future updates such as changing pod score values or service issues / fault diagnosis.

Freedom Gaming Control Box Installation

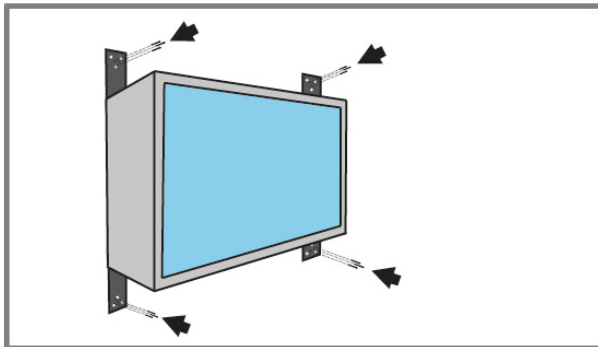
- The control box contains the NUC which controls the whole system and a splitter for the display screens (requires two power sockets).
- The control box is installed in the same way as the Hub Box; however, this should be installed locally to the touch screen registration area.
- Fix the control box using any suitable self-tapping or wood screws into the surface material.
- **Note:** Cables exit is at the rear of the box.

01



Hold the main body in place, and ensure it is level.

02



Use appropriate fixings and mount the display box to the wall.

Note: Make sure everything is tight and secure and that no cables are trapped.

Freedom Gaming Pod Installation

- The pods should be installed prior to padding and vinyl being added to the piping.
- The pods can be installed to either box or round piping and feature a cut out on the rear for each.
- Pods are connected to the HUBs via CAT5 cables.

01

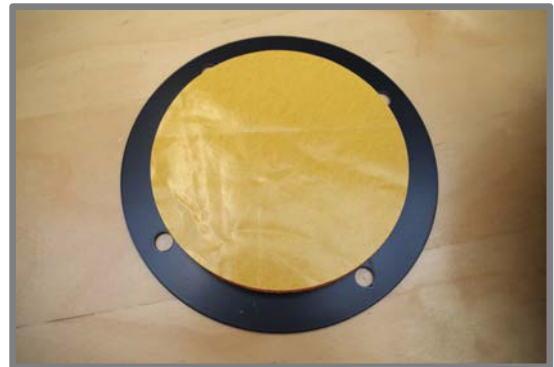


Each pod will be supplied with the pod, a backplate with adhesive pads, bolts and washers.

02

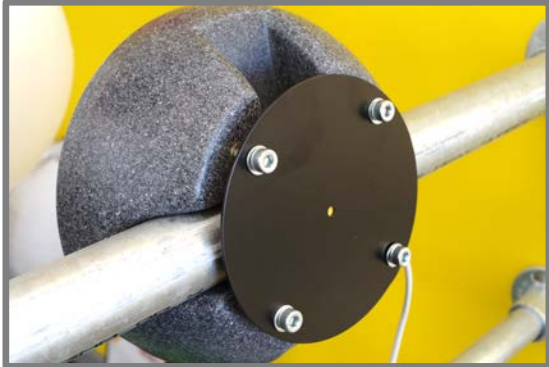


Position pod on the exposed pole in the desired orientation for gameplay.



Remove cover from adhesive pad and align to the rear of the pod.

03



Attach bolts and tighten until firmly in place.

04



Connect appropriate length CAT5 cable to the pod's hanging cable that will return to the Hub box. Pods must be within 20m of the hub that services them.

05



Tuck the hanging cable and head of the CAT5 cable inside the recess in the pod. Cable excess can be fed into this recess too.

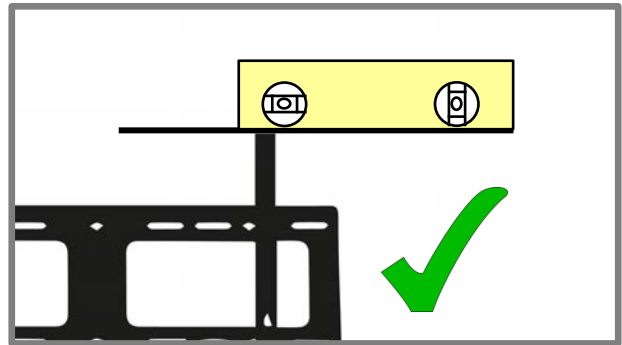
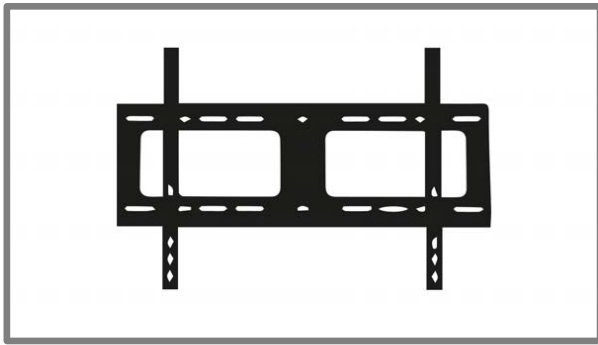


Push the supplied stopper into the hole being sure the cable is sitting in the small recess to the side of the main hole.

Freedom Gaming Screen Installation

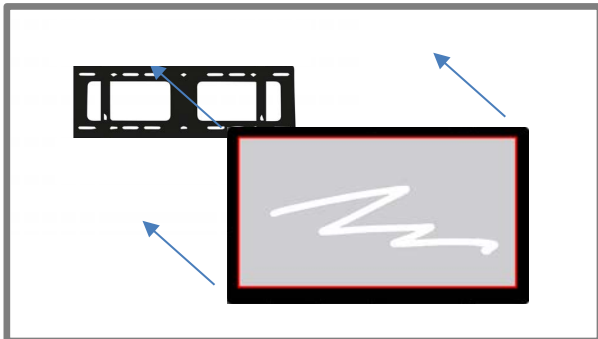
- The screens are to be installed in suitable positions around the event, these screens will display the in-game scores and leader boards.
- Screens should be positioned in easily visible positions that users will not make contact with.
- The screens are connected to a small splitter via HDMI, the splitter will need to connect via CAT5 cable to the Control Box.

01



Install the supplied screen mount to a suitable position around the event area. Use suitable screws. Ensure it is firmly attached and level.

02



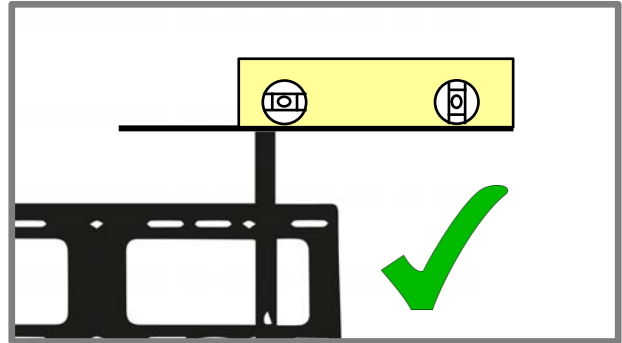
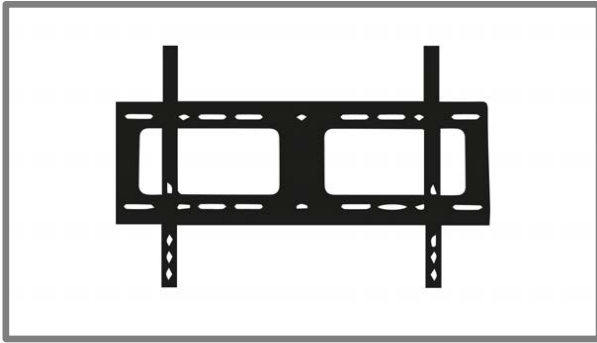
Attach the second part of the screen mount to the screen.

Line the screen to the mount and connect. Ensure it is securely mounted in place.

Freedom Gaming Touchscreen Installation

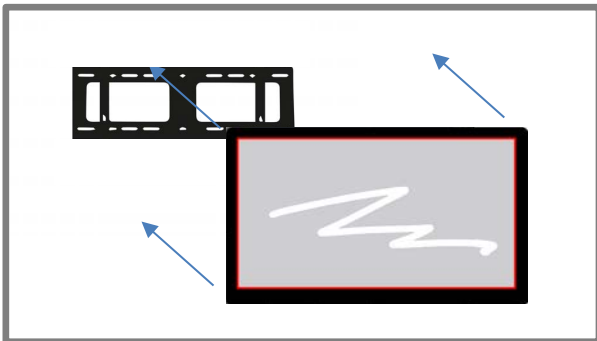
- The touchscreen is used to input player / team information, allocate teams, colours and set the game duration.
- The touchscreen should be positioned near the entrance to the game.
- The touchscreen must be within 3 meters of the control box.
- The touchscreen requires a HDMI and USB connection from the Control Box.

01



Install the supplied screen mount to a suitable position. Use suitable screws. Ensure it is firmly attached and level.

02



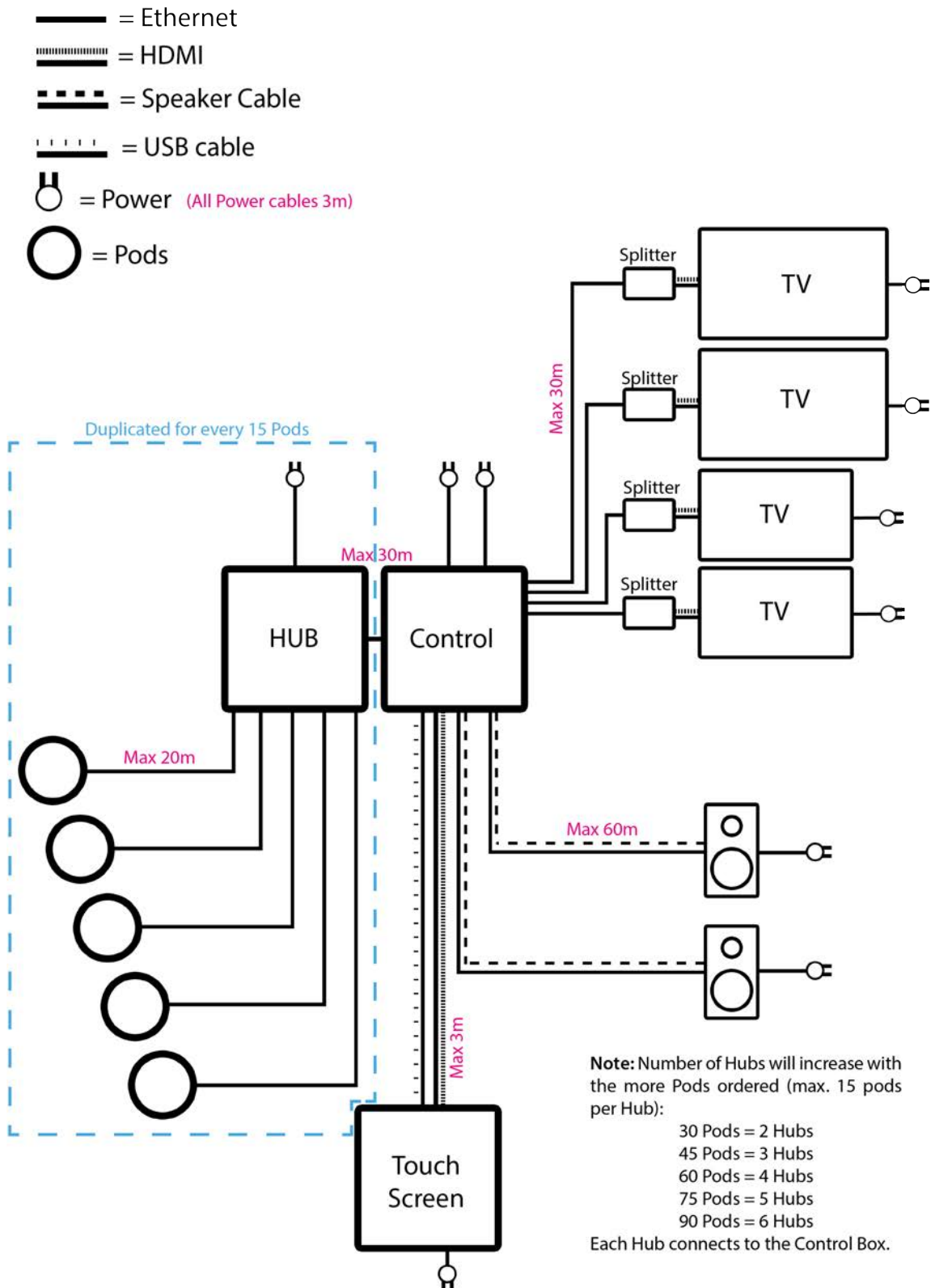
Attach the second part of the screen mount to the screen.

Line the screen to the mount and connect. Ensure it is securely mounted in place.

NOTE: This is the control panel for the Freedom Gaming system and will require use by trained staff to set up and start each game.

Connecting Freedom Gaming

- All cables will be supplied.
- Note:** Number of Hubs to be connected will depend on order.



Layout

- Layout of the Pods is at the discretion of the installer / park constructor
- Screens should be mounted in visible places around the arena.
- Power cables should not be run along or inside the steel structure.
- **Note:** Number of Hubs to be connected will depend on the order.
- Pods **MUST** be within 20m of the Hub box that services them.

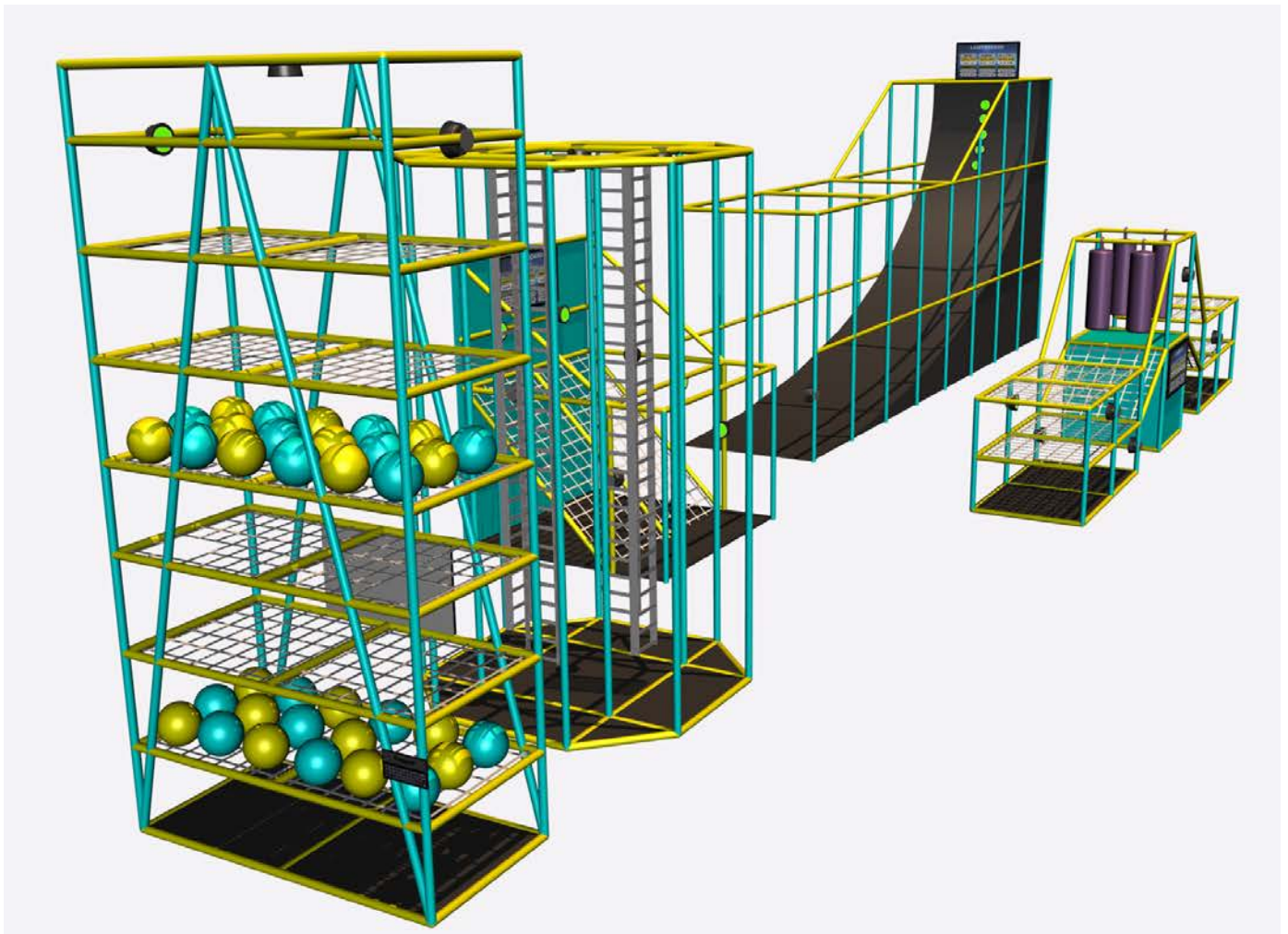


Figure: A typical layout of Freedom gaming.



Rugged Interactive

Unit 1, Callywith Court
Callywith Industrial Estate, Bodmin
Cornwall, UK
PL31 2RQ

+44 (0) 1726 981 123

www.rugged-interactive.co.uk

hello@rugged-interactive.co.uk

Section 4 - How to Use

Freedom Gaming has two game modes which can be switched on the admin panel.

CyberChase – Supervised team game

RoboRun – Unsupervised individual / team game

CyberChase

A supervised team event, perfect for parties or special events. A new game can be set up whilst an existing game is running.

FREEDOM GAMING

CYBERCHASE

HOW TO USE

Get into teams and chase your colour until the time runs out.

1. Enter your name and press **GO**
2. Enter another name or press **NEXT** when finished
3. Select the number of **TEAMS** manually or automatically
4. Enter a team name and press **GO**
5. Assign players to **TEAMS** manually or automatically and press **NEXT**
6. Select game length. Press **LET'S PLAY** and enter the arena

© Rugged interactive 2023

rugged.interactive

www.rugged-interactive.com

RoboRun

An unsupervised game, perfect for everyday use. Compete as individuals or teams to chase your chosen colour and see if you can make it onto the leader board.

FREEDOM GAMING

ROBORUN

HOW TO USE

Chase your chosen colour until the time runs out.

1. Select a colour and press **NEXT**

2. Enter name and press **GO**

3. Enter the arena

The next player repeats the process. Colours in use are unavailable for indicated time.

© Rugged interactive 2023
www.rugged-interactive.com

COMING SOON: Catch the Tiger

A continuous team game perfect for soft play or toddler / young children sessions, an interactive and immersive jungle themed game.



Rugged Interactive

Unit 1, Callywith Gate
Callywith Industrial Estate, Bodmin
Cornwall, UK
PL31 2RQ

+44 (0) 1726 981 123

www.rugged-interactive.co.uk

hello@rugged-interactive.co.uk

Section 5 - Programs Guide

Freedom Gaming

- Summary:** A head to head game perfect for groups, parties or individuals.
- Gameplay:** Up to 6 participating individuals or teams will be allocated a colour. Pods around the arena will illuminate in the active colours and players will be awarded points for pressing the pods in their colour.
- Aim:** To hit as many illuminated pods in your team's colour as possible within the given time limit.
- Scoring system:** +1 point for each pod hit as standard but adjustments to scores can be made in the system configuration to reward players for getting to harder to reach pods.
- Duration:** 1 minute

NOTE: At any time, if Freedom Gaming behaves unexpectedly during gameplay, wait for the game to end and for the unit to reset to its idle state.



Rugged Interactive

Unit 1, Callywith Court,
Callywith Industrial Estate,
Bodmin, Cornwall, UK
PL31 2RQ

+44 (0) 1726 981 123

www.rugged-interactive.co.uk

hello@rugged-interactive.co.uk

Freedom Gaming System Specifications

Dimensions and Weights:

	Approx. Shipment Details		Fully Assembled Details	
	Size (mm)	Weight	Size (mm)	Weight
Freedom Gaming Pod (<i>single unit</i>)	-	-	246 Ø x 100	1.5 kg
Control / HUB Box	-	-	380 x 75 x 380	4 kg
Leader Board Screen	-	-	1120 x 80 x 650	10 kg
Touchscreen	-	-	450 x 60 x 300	9 kg

Power Supply:

AC: 110-230V, 50-60Hz, 13A

Warranty:

1 year on electronics. 3 years on all other parts.

Regulatory Requirements:

CE Approved.

Operating Environment:

Indoors: keep dry and out of direct sunlight.

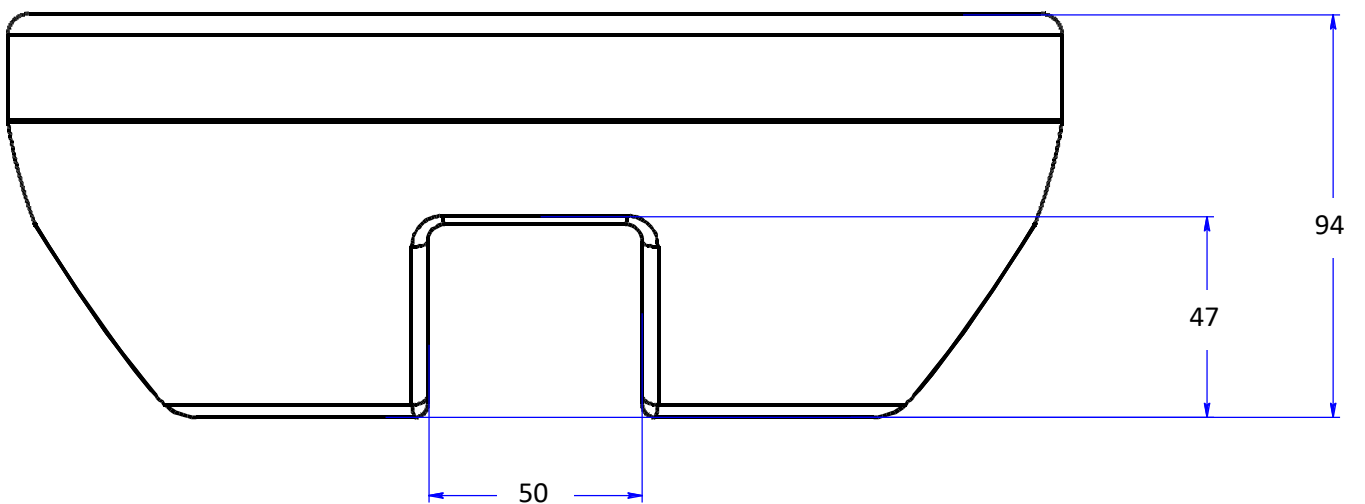
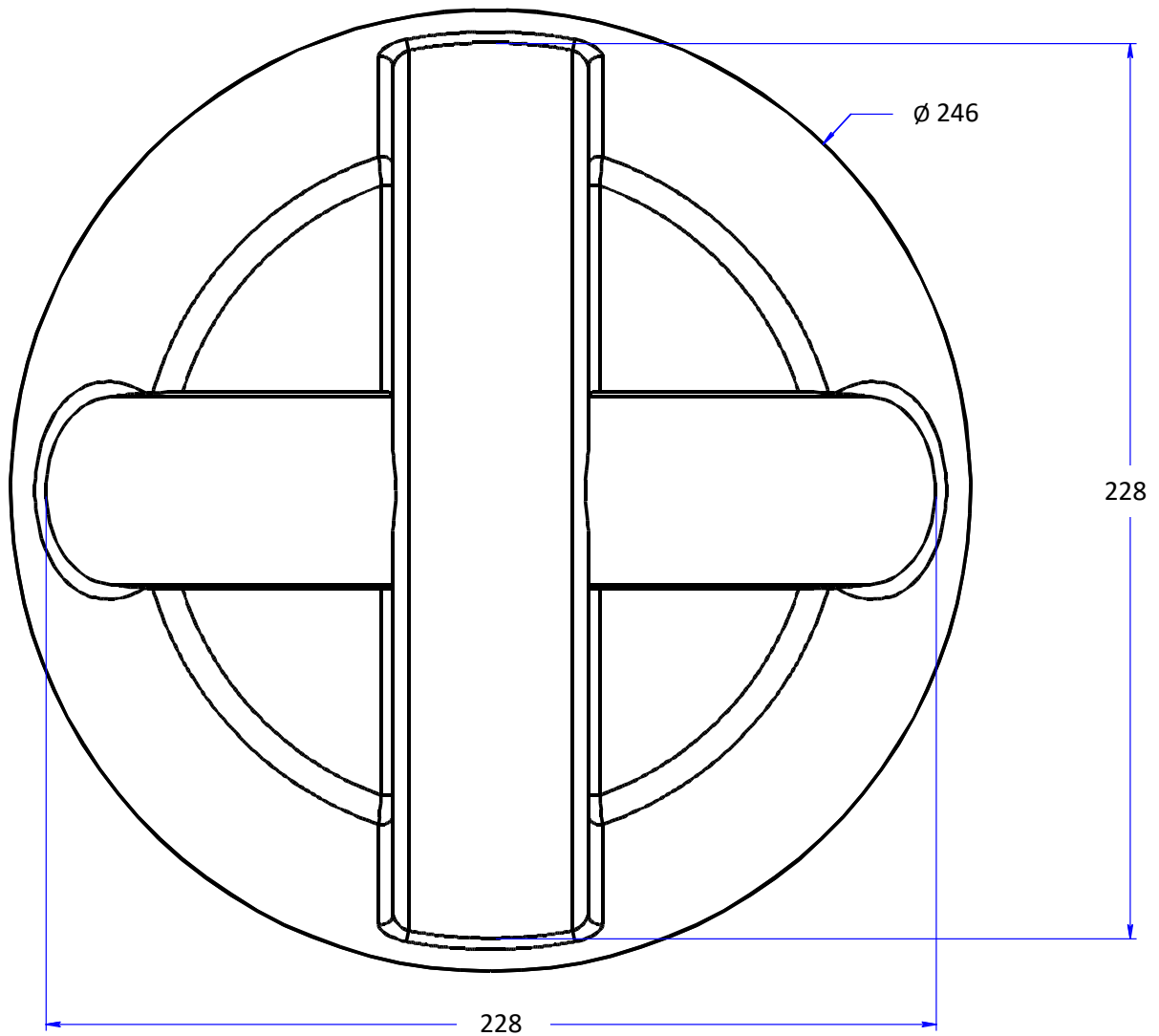
Optimum ambient temperature: 5°C to 30°C. Avoid extreme fluctuations of temperature.

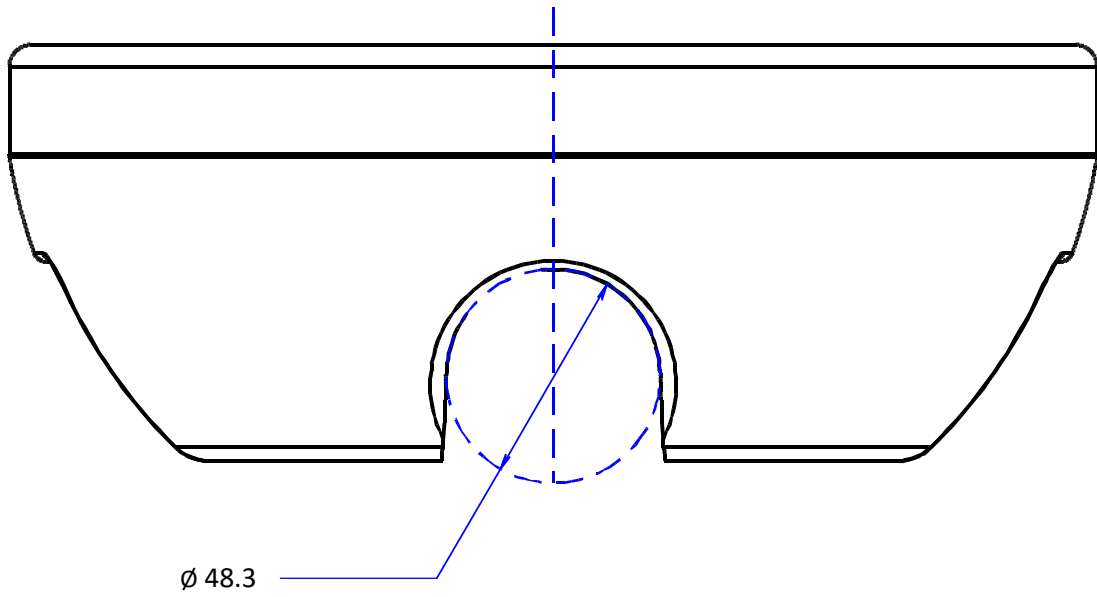
Other:

All parts designed for easy maintenance. Replacement pods can be swapped out by staff in seconds.

Ensure the installation complies with all regulatory standards.

Mounting Points and Dimensions:





Freedom Gaming Pod Mounting Points and Dimensions
(Dimensions in mm)



■ Features

- Universal AC input / Full range
- 2 pole AC inlet IEC320-C8
- Medical safety approved (2 x MOPP between primary to secondary)
- Suitable for BF application with appropriate system consideration
- Low leakage current <50uA
- No load power consumption<0.1W
- Energy efficiency level VI(Except 5~9V for Level V)
- Comply with EISA 2007/DoE,NRCan, AU/NZ MEPS, EU ErP and meet CoC Version 5
- Built-in active PFC function
- High efficiency up to 91.5%
- Fanless design with -30~+60°C working temperature
- Class II power (without earth pin)
- Protections: Short circuit / Overload / Over voltage / Over temperature
- Fully enclosed plastic case
- LED indicator for power on
- 100% full load burn-in test



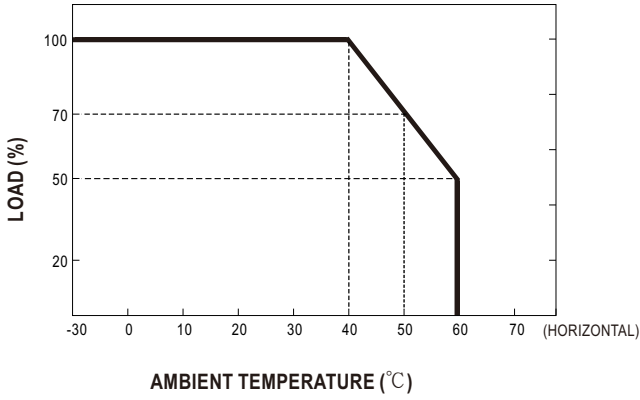
Power Supply Specification

SPECIFICATION

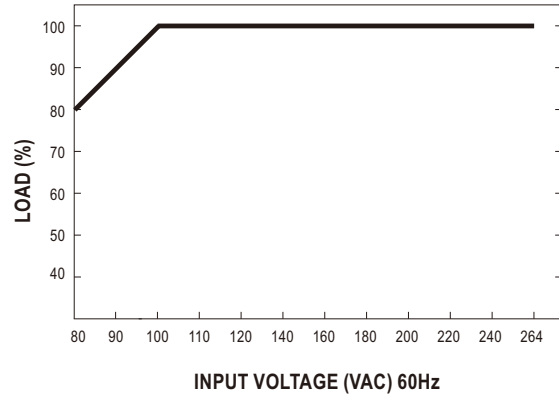
PRODUCT		GSM60B12-P1J	
OUTPUT	SAFETY MODEL NO.	GSM60B12	
	DC VOLTAGE <small>Note.2</small>	12V	
	RATED CURRENT	5A	
	CURRENT RANGE	0 ~ 5A	
	RATED POWER (max.)	60W	
	RIPPLE & NOISE (max.) <small>Note.3</small>	100mVp-p	
	VOLTAGE TOLERANCE <small>Note.4</small>	± 3.0%	
	LINE REGULATION <small>Note.5</small>	± 1.0%	
	LOAD REGULATION	± 3.0%	
	SETUP, RISE TIME <small>Note.6</small>	1000ms, 30ms / 230VAC 1500ms, 30ms / 115VAC at full load	
HOLD UP TIME (Typ.)	50ms / 230VAC 15ms / 115VAC at full load		
INPUT	VOLTAGE RANGE <small>Note.7</small>	80 ~ 264VAC 120 ~ 370VDC	
	FREQUENCY RANGE	47 ~ 63Hz	
	EFFICIENCY (Typ.)	88%	
	AC CURRENT (Typ.)	1.4A / 115VAC 1A / 230VAC	
	INRUSH CURRENT (Typ.)	30A / 115VAC 65A / 230VAC	
	LEAKAGE CURRENT(max.)	Touch current < 50µA/264VAC	
PROTECTION	OVERLOAD	105 ~ 160% rated output power Protection type : Hiccup mode, recovers automatically after fault condition is removed	
	OVER VOLTAGE	12.6 ~ 16.2V Protection type : Shut down o/p voltage, re-power on to recover	
	OVER TEMPERATURE	Shut down o/p voltage, re-power on to recover	
ENVIRONMENT	WORKING TEMP.	-30 ~ +60°C (Refer to "Derating Curve")	
	WORKING HUMIDITY	20% ~ 90% RH non-condensing	
	STORAGE TEMP., HUMIDITY	-40 ~ +85°C, 10 ~ 95% RH	
	TEMP. COEFFICIENT	± 0.03% / °C (0 ~ 40°C)	
	VIBRATION	10 ~ 500Hz, 2G 10min./1cycle, period for 60min. each along X, Y, Z axes	
SAFETY & EMC (Note. 8)	SAFETY STANDARDS	ANSI/AAMI ES60601-1 / ES60601-1-11, TUV EN60601-1 / 60601-1-11 approved	
	ISOLATION LEVEL	Primary-Secondary: 2xMOPP	
	WITHSTAND VOLTAGE	I/P-O/P:4KVAC	
	ISOLATION RESISTANCE	I/P-O/P:100M Ohms / 500VDC / 25°C / 70% RH	
	EMC EMISSION	Compliance to EN55011(CISPR11) class B, EN61000-3-2,3, FCC PART 15 class B,CAN ICES-3(B)/NMB-3(B)	
	EMC IMMUNITY	Compliance to EN61000-4-2,3,4,5,6,8,11, EN55024, EN60601-1-2, EN61204-3 medical level, criteria A	
OTHERS	MTBF	720K hrs min. MIL-HDBK-217F(25°C)	
	DIMENSION	125*50*31.5mm (L*W*H)	
	PACKING	0.32Kg; 40pcs/13.8Kg/1.05CUFT	
CONNECTOR	PLUG	See page 3 ; Other type available by customer requested	
	CABLE	See page 3 ; Other type available by customer requested	
NOTE	<ol style="list-style-type: none"> All parameters are specified at 230VAC input, rated load, 25°C 70% RH ambient. DC voltage: The output voltage set at point measure by plug terminal & 50% load. Ripple & noise are measured at 20MHz by using a 12" twisted pair terminated with a 0.1uf & 47uf capacitor. Tolerance: includes set up tolerance, line regulation, load regulation. Line regulation is measured from low line to high line at rated load. Length of set up time is measured at first cold start. Turning ON/OFF the power supply may lead to increase of the set up time. Derating may be needed under low input voltages. Please check the derating curve for more details. The power supply is considered as an independent unit, but the final equipment still need to re-confirm that the whole system complies with the EMC directives. For guidance on how to perform these EMC tests, please refer to "EMI testing of component power supplies." (as available on http://www.meanwell.com) 		



Derating Curve

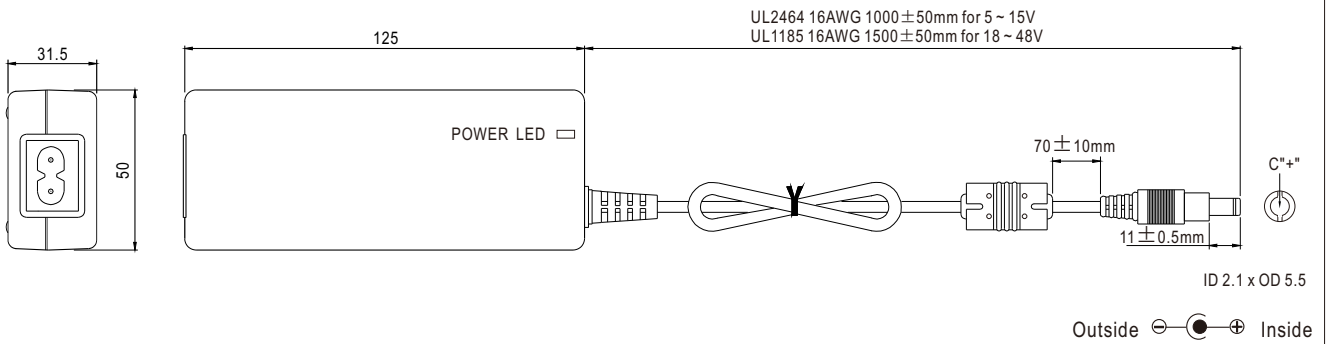


Static Characteristics



Mechanical Specification

Case No. GSM60B Unit:mm



Plug Assignment

Standard plug: P1J

P1J	
P/N	OUTPUT
CENTER	+



Rugged Interactive

Unit 1, Callywith Gate
Callywith Industrial Estate, Bodmin
Cornwall, UK
PL31 2RQ

+44 (0) 1726 981 123

www.rugged-interactive.co.uk

hello@rugged-interactive.co.uk

Freedom Gaming Installation Checklist

Please complete this checklist after any installation:

Check 1: Pre-power up checks.

- All parts mounted to a construction capable of supporting its weight and gameplay.
- All fixings are tight and secure.
- No signs of damage, component failure and/or missing parts.
- No trapped and/or pinched cables.
- No loose cables that could become a tripping hazard.
- All long cables are supported at least every 50 cm.
- Adequate strain relief provided for connection points.
- Kept out of direct sunlight during the day.
- All electric components away from contact with water.
- Protective plastic sheets removed from front graphic panels.

Check 2: Plug into a mains socket and power up.

- Screens power on displaying leader boards.
- Display is as expected.
- Pods illuminate.

Check 3: Game can be launched.

- Data can be inputted via touch screen.
- Game can be launched.
- Countdown starts.
- Pods illuminate and score when pressed.
- Live leader boards change as pods are hit.
- Winning player / team revealed at the end of the game.

Check 4: Ready for use.

Freedom Gaming Order and Installation Manual: *Installation Checklist*

Play area is clear.

Instruction / training carried out by an appropriate instructor to all new users.

If anything unexpected occurs or problems persist after troubleshooting, call Rugged Interactive directly on +44 (0) 1726 833 882.



Rugged Interactive

Unit 1, Callywith Gate
Callywith Industrial Estate, Bodmin
Cornwall, UK
PL31 2RQ

+44 (0) 1726 981 123

www.rugged-interactive.co.uk

hello@rugged-interactive.co.uk

Next Steps

Train team members

Train your team members on how to use Freedom Gaming, having knowledge of the gameplay will help them encourage users. Inspire them to cheer and celebrate with the customers when they achieve high scores.

Maintenance

General care and maintenance procedures for your Rugged Interactive product.

1. Inspect the product daily for any signs of damage or loose components. Repair or tighten as applicable.
2. Turn on the product, check the LEDs and sound is working as expected.
3. Start a game, check all pods/sensors work and react as expected. Please refer to the manual for instructions on gameplay.
4. If a pod has seven (7) or fewer working LEDs, we recommend replacing the pod.
5. We suggest non-solvent glass cleaning spray, avoid spraying directly onto the pods. Use a non-abrasive microfibre cloth and extremely light pressure when wiping the product. Too much pressure will scratch the graphics panel.
6. Only use accessories recommended by the manufacturer with the products. Accessories not recommended could cause serious damage.
7. Every three months check the fixings are tight.
8. Once a year, check the structure supporting the product is still solid.
9. We recommend turning the products off when they are not in use (close of business), this will help to extend the life of the product.

Marketing

With this being such an eye-catching product, it is excellent for use in posts on social media, either featuring in photos or videos.

If you would like any help, guidance or examples of using this product in your marketing campaign, please contact Rugged Interactive and we will be able to assist with this.



Rugged Interactive

Unit 1, Callywith Gate
Callywith Industrial Estate, Bodmin
Cornwall, UK
PL31 2RQ

+44 (0) 1726 981 123

www.rugged-interactive.co.uk

hello@rugged-interactive.co.uk

Congratulations!

Congratulations on your new Rugged Interactive product! Your customers are going to love this, and it is a great addition to your venue!

If there is anything we can assist with or if you would be interested in information about any other Rugged Interactive products, then please do not hesitate to get in contact.