



rugged. interactive

# TrailBlazer® Traverse HEX

## Installation and Instruction Manual

For models from February 2021 onwards



### **Rugged Interactive**

Unit 1, Callywith Court,  
Callywith Industrial Estate,  
Bodmin, Cornwall, UK  
PL31 2RQ

+44 (0) 1726 981 123  
[www.rugged-interactive.co.uk](http://www.rugged-interactive.co.uk)  
[hello@rugged-interactive.co.uk](mailto:hello@rugged-interactive.co.uk)

Updated: 10/02/2021



## **Rugged Interactive**

Unit 1, Callywith Court  
Callywith Industrial Estate, Bodmin  
Cornwall, UK  
PL31 2RQ

+44 (0) 1726 981 123

[www.rugged-interactive.co.uk](http://www.rugged-interactive.co.uk)

[hello@rugged-interactive.co.uk](mailto:hello@rugged-interactive.co.uk)

# **Contents**

---

## **Section 1 – Ordering Process**

- 1.1 Need to Know
- 1.2 Order and Installation Checklist
- 1.3 Product Overview
- 1.4 Ordering and Installation Timeline
- 1.5 Getting Started
- 1.6 Place Order

## **Section 2 – Safety Guidelines**

- 2.1 Installation Safety Guidelines
- 2.2 In Play Safety Guidelines

## **Section 3 – Installation**

- 3.1 Parts List
- 3.2 Tools and Components List
- 3.3 Installation Overview
- 3.4 Detailed Installation

## **Section 4 – How to Use**

## **Section 5 – Programs Guide**

**TrailBlazer Traverse HEX System Specifications**

**TrailBlazer Traverse HEX Installation Checklist**

**Next Steps**



## Rugged Interactive

Unit 1, Callywith Court  
Callywith Industrial Estate, Bodmin  
Cornwall, UK  
PL31 2RQ

+44 (0) 1726 981 123  
[www.rugged-interactive.co.uk](http://www.rugged-interactive.co.uk)  
[hello@rugged-interactive.co.uk](mailto:hello@rugged-interactive.co.uk)

# Section 1 – Ordering Process

---

## 1.1 - Need to Know

### Installation manual purpose and limitations

This manual is intended to provide guidance only, the installation of the Rugged Interactive product will be under your control. You will be responsible for making sure, upon completion of the installation, it is safe to use. As always, we are here to support you, please get in touch if you are in any doubt.

### Regulations

Some countries and states have regulations which may be applicable to the Rugged Interactive products, it is your responsibility to check that the product complies with such regulations. This should be conducted during the planning phase for the installation location.



## Rugged Interactive

Unit 1, Callywith Gate  
Callywith Industrial Estate, Bodmin  
Cornwall, UK  
PL31 2RQ

+44 (0) 1726 981 123  
www.rugged-interactive.co.uk  
hello@rugged-interactive.co.uk

## 1.2 - Order and Installation Checklist

---

- Contact the Rugged Interactive sales team or a partner / distributor to begin the process.
- Confirm the invoice and delivery address along with date required (lead time is at least 5 weeks), VAT number required for export customers.
- Complete site survey.
- Send purchase order or confirm order.
- Make first payment.
- Discuss graphic requirements and provide logos and branding guidelines.
- Approve graphics.
- Make second payment (required a week before dispatch).
- Schedule time and team members for installation.
- Before install, confirm all tools and components are prepared.
- Organise shipment (Customer collection or delivery organised by Rugged Interactive).
- Receive your order.
- Install the product.
- Test and complete installation checklist.
- Train the team on how to use the product.
- Sounds can be heard when the targets are hit.
- Reveal your new Rugged Interactive product to your guests and customers!



## Rugged Interactive

Unit 1, Callywith Gate  
Callywith Industrial Estate, Bodmin  
Cornwall, UK  
PL31 2RQ

+44 (0) 1726 981 123

[www.rugged-interactive.co.uk](http://www.rugged-interactive.co.uk)

[hello@rugged-interactive.co.uk](mailto:hello@rugged-interactive.co.uk)

### 1.3 – TrailBlazer® Traverse HEX Overview

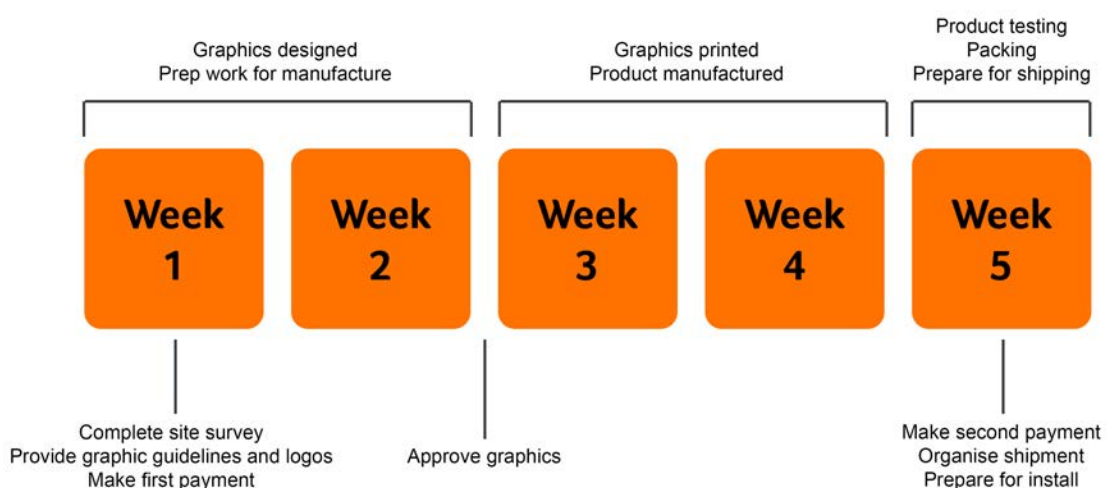
A free-standing interactive climbing challenge, the TrailBlazer Traverse HEX could be the standout feature for your trampoline park. Players climb around the wall, scoring points by pressing the easy to hold grips as they light up.

Visually striking and featuring a huge graphic area that can be personalised to match your identity or style.

Featuring multi-coloured light up hand grips, comfortable foot-holes for use with trampoline socks, a digital scoreboard with audio commands to engage your customers.



### 1.4 - Order and Installation Timeline



\* We do our best to ensure orders are ready on a five-week lead time, however during busy periods or for large orders, the lead time may be longer than outlined here. Lead time will also be affected by graphics guidelines, approval and payment delays.



## Rugged Interactive

Unit 1, Callywith Court  
Callywith Industrial Estate, Bodmin  
Cornwall, UK  
PL31 2RQ

+44 (0) 1726 981 123

[www.rugged-interactive.co.uk](http://www.rugged-interactive.co.uk)  
[hello@rugged-interactive.co.uk](mailto:hello@rugged-interactive.co.uk)

## 1.5 - Getting Started

---

### New Parks

During the design process for the new park, incorporate the intended products into the design, product specifications can be found within this manual for the relevant product and CAD files can be supplied upon request.

### Existing Parks

When retrofitting existing parks, all specifications can be found within this manual or CAD files are available at request. If further information is required, please get in touch and we will be able to provide further information and guidance.

## 1.6 - Place Order

---

To begin the order process with Rugged Interactive:

Email:

[Sales@rugged-interactive.co.uk](mailto:Sales@rugged-interactive.co.uk)

Or call the Sales Office:

+44 (0) 7585 955 184

**HQ/Production Address:**

Unit 1 Callywith Court  
Callywith Ind. Estate,  
Bodmin,  
Cornwall  
UK  
PL31 2RQ

**Sales Office Address:**

Rugged Interactive,  
Future Space,  
UWE North Gate,  
Filton Road,  
Bristol,  
UK  
BS34 8RB



## Rugged Interactive

Unit 1, Callywith Court  
Callywith Industrial Estate, Bodmin  
Cornwall, UK  
PL31 2RQ

+44 (0) 1726 981 123

[www.rugged-interactive.co.uk](http://www.rugged-interactive.co.uk)  
[hello@rugged-interactive.co.uk](mailto:hello@rugged-interactive.co.uk)

# Section 2 - Safety Guidelines

---

## 2.1 Installation Safety Guidelines

Before installing any Rugged Interactive product, please read the following:

### Dos:

- Ensure that a Site Survey form has been completed prior to installation.
- Have ready suitable equipment, tools and/or manpower.
- Observe correct manual handling techniques whilst moving and installing the equipment.
- Visually check the product for any signs of damage, component failure and/or missing parts.
- To prevent electric shock, keep all electric components away from contact with water.
- Ensure to take anti-static precautions.
- Wear appropriate clothing: do not wear loose clothing or jewellery.
- Long hair should be tied back.
- Tidy back loose cables that could become a tripping hazard.
- Ensure that the playing area is clear.
- Immediately inform Rugged Interactive for maintenance advice if you have concerns.

### Don'ts:

- Do not wear shoes with leather soles or high heels.
- Do not use any tools that are not specifically recommended by the manufacturer.
- Do not distract others while they are installing the product.

## 2.2 In Play Safety Guidelines

Please ensure you read the following points before using the equipment:

### Dos:

- Before beginning any exercise program, it is recommended that you consult with your doctor.
- Children under the age of 7 years must always be supervised by an adult (over 16 years) when using the equipment and/or recommended accessories.
- Visually check the equipment before using it for any signs of damage, component failure or loose cables that could become a tripping hazard. Report any concerns, e.g. loose holds or damaged equipment, to a member of staff immediately.
- Ensure you familiarise yourself with any additional facility rules that may apply.
- Ensure that the play area in front of the equipment is clear before attempting to participate.
- Only participate if you are in good physical condition. Participate only within your capabilities / recommended exercise level.
- Wear appropriate clothing.
- Remove all items from your pockets prior to participation.
- Long hair should be tied back.
- Before use, loosen up with warm up exercises and stretches.
- Always maintain at least three points of contact with the climbing wall.
- Descend either by down-climbing or a controlled jump. Always jump so you land with both feet at the same time. Uncontrolled jumps or falls are likely to result in injuries to yourself and/or others.
- Look out for other participants and give way to smaller ones.
- Respect the space of other climbers. Only climb when there is a safe distance between you and the next climber.
- Only those participating are allowed in the activity area, unless you are spotting a climber. If waiting to participate, stand back at a safe distance from the equipment.
- Report any unusual or inappropriate behaviour to a member of staff immediately.
- If you get tired, leave the equipment / activity area and take a break.
- If you feel any pain, dizziness, nausea or any other abnormal symptoms, STOP YOUR WORKOUT IMMEDIATELY. Consult your doctor immediately. Incorrect or excessive training may lead to injuries.
- Only those participating are allowed in the activity area. If waiting to participate, stand back at a safe distance from the equipment.
- Make sure you have control before leaving the trampolines, obstacles or activity equipment.

### Don'ts:

- No more than four active users on the equipment at any one time.



- Do not attempt to use any of the equipment without undertaking instruction / training carried out by an appropriate instructor.
- Do not participate if you are unwell or have any pre-existing medical conditions including heart, back, neck, bone and/or muscle conditions.
- Do NOT work to exhaustion.
- Do not participate if you are or maybe pregnant.
- Do not wear loose clothing or jewellery (including studs and watches). Clothing should not have any hard or sharp points (such as buckles, studs, toggles or alike).
- Do not wear shoes with leather soles, high heels, sandals, boots or bare feet.
- No food, drink or chewing gum during participation.
- No phones or cameras in the activity area.
- Do not leave clothing or personal belongings around the activity areas.
- Do not participate under the influence of alcohol and/or drugs.
- Do not attempt any move beyond your own skill level.
- Do not climb too high until you are confident enough to do so.
- No feet above the marked line.
- Do not attempt to climb above the holds.
- Do not attempt to climb over other participants.
- Do not climb directly above or below another climber.
- Do not jump or flip over other participants.
- Do not distract others while they are using the equipment.
- Do not attempt to catch anyone who may fall.
- Do not sit, lie, stand or rest on or under the activity equipment and/or surrounding padding/mats.
- Never lean on, jump on, climb, grab, or lift any safety pads or safety nets.
- Do not use any accessories that are not specifically recommended by the manufacturer. These might cause injuries or cause the equipment to fail.

**NOTE:** This activity can be great fun, but it can also be dangerous. There is a risk of serious injury if care is not taken when using the equipment. Use of this equipment is physically demanding: this is a high-impact, full body activity which requires intense focus, awareness of your body's strengths and limitations, awareness of the environment around you and extreme caution.

Maximum weight restriction per user is 18st/115kg.



## Rugged Interactive

Unit 1, Callywith Gate  
Callywith Industrial Estate, Bodmin  
Cornwall, UK  
PL31 2RQ

+44 (0) 1726 981 123

[www.rugged-interactive.co.uk](http://www.rugged-interactive.co.uk)

[hello@rugged-interactive.co.uk](mailto:hello@rugged-interactive.co.uk)

# Section 3 - Installation

---

## 3.1 - Parts List

Please check off the received parts for the installation and alert Rugged Interactive immediately if anything is missing.

- |  |                          |
|--|--------------------------|
| 12 x Wall Mouldings.   | <input type="checkbox"/> |
| 1 x Hub control box.   | <input type="checkbox"/> |
| 4 x Control box mounting brackets including 12 x M5 x 12mm screws. | <input type="checkbox"/> |
| 1 x Power lead.  | <input type="checkbox"/> |
| 18 x Metal fixing brackets.  | <input type="checkbox"/> |
| 108 x Self tapper screws.  | <input type="checkbox"/> |
| 6 x Corner poles with metal boss.                                  | <input type="checkbox"/> |
| 6 x Corner poles without metal boss.                               | <input type="checkbox"/> |
| 16 x Network cables.   | <input type="checkbox"/> |
| 1 x Spare active grip.   | <input type="checkbox"/> |
| 1 x Spare hand grip.   | <input type="checkbox"/> |
| 1 x Spare foot grip.   | <input type="checkbox"/> |
| Spare screws pack.   | <input type="checkbox"/> |
| Manual.  | <input type="checkbox"/> |

## 3.2 - Tools and Components List

---

Arrange the necessary tools and the team to install the product.

- Ladder.
- Industrial vacuum cleaner.
- Dustpan and brush.
- SDS impact drill.
- Cordless drill – with torque adjuster to avoid over-tightening the screws.
- A set of No.2 Pozi bits.
- A set of screwdrivers.
- A set of Hex keys.
- Spirit level.



## Rugged Interactive

Unit 1, Callywith Court  
Callywith Industrial Estate, Bodmin  
Cornwall, UK  
PL31 2RQ

+44 (0) 1726 981 123

[www.rugged-interactive.co.uk](http://www.rugged-interactive.co.uk)

[hello@rugged-interactive.co.uk](mailto:hello@rugged-interactive.co.uk)

## 3.3 - Installation Overview

---

Below is an overview of the steps needed to install TrailBlazer Traverse HEX. More detail for the process is provided in the following pages. Please read through ALL of this prior to beginning the installation and if you are in any doubt, contact Rugged Interactive.

If you have any concerns on how or what the product is installed to, contact a structural engineer prior to beginning the installation.

**STEP 1:** Clear adequate space for the HEX.

**STEP 2:** Interlock bottom mouldings.

**STEP 3:** Position top mouldings and fix corner poles.

**STEP 4:** Secure joining plates.

**STEP 5:** Mount score box.

**STEP 6:** Attach cables.

**STEP 7:** Turn on and test.

**STEP 8:** Check all is secured.

**STEP 9:** Stress relief cables.

**STEP 10:** Enjoy TrailBlazer Traverse HEX!



## Rugged Interactive

Unit 1, Callywith Court  
Callywith Industrial Estate, Bodmin  
Cornwall, UK  
PL31 2RQ

+44 (0) 1726 981 123

[www.rugged-interactive.co.uk](http://www.rugged-interactive.co.uk)

[hello@rugged-interactive.co.uk](mailto:hello@rugged-interactive.co.uk)

## 3.4 – Detailed Installation

---

Read this manual **before** installing the TrailBlazer Traverse HEX climbing wall.

### Installation Guidelines:

- Please complete a **Site Survey** form prior to delivery and/or installation.
- Please send a completed **Installation Checklist** after any installation to Rugged Interactive.
- A typical installation should take 2 people about 4 hours.
- No obstructions or protrusions in the installation area: e.g. pipes, cables and wiring conduits.
- Avoid trapped and/or pinched cables.
- Use good practice when running data cables to and from products. Support long cables at least every 50 cm and provide adequate strain relief for connection points.
- Power supply to be within 50 cm of the display box.
- To prevent electric shock, keep all electric components away from contact with water.
- **IMPORTANT:** Take anti-static precautions.

### Structure:

- The ground area for installation will need to be flat and level. (Uneven ground surfaces make alignment and fitting very difficult.)
- Ground area must be at least that of the TrailBlazer HEX footprint.
- TrailBlazer HEX can also be fitted around a pillar.

### Fixings:

- The manufacturer will supply fixings (excluding floor angle brackets).
- All fixings must be tight and secure.

### Required Tools and Consumables:

- A spirit level – to check floor is level before installation and that the TrailBlazer is level during installation.
- An industrial vacuum cleaner.
- A dustpan and brush.
- A cordless drill – with torque adjuster to avoid over-tightening of screws.
- A set of No.2 Pozi bits.
- A small electrical-type flat-bladed screwdriver to unclip the CAT5 connectors from the grips.
- A stepladder

### Suggested Extras:

- Cleaning cloth and gentle cleaning spray.

**Installation Heights:**

- The TrailBlazer can be mounted flat to the ground or raised to a desirable level.
- Recommended 100 - 200 mm above ground level to accommodate matting.

**Display / Score Box (HUB):**

- Please consider the position of the display box when surveying an area in preparation for installation.
- The display box should be mounted on a central pillar or against a nearby wall.
- Fix HUB using any suitable self-tapping or wood screws into the surface material, using the supplied wall brackets if applicable.

**Operating Environment:**

- Keep indoors and dry.
- Optimum ambient temperature: 5°C to 30°C. Avoid extreme fluctuations of temperature.
- Area clear in front of the TrailBlazer: 200 cm minimum.

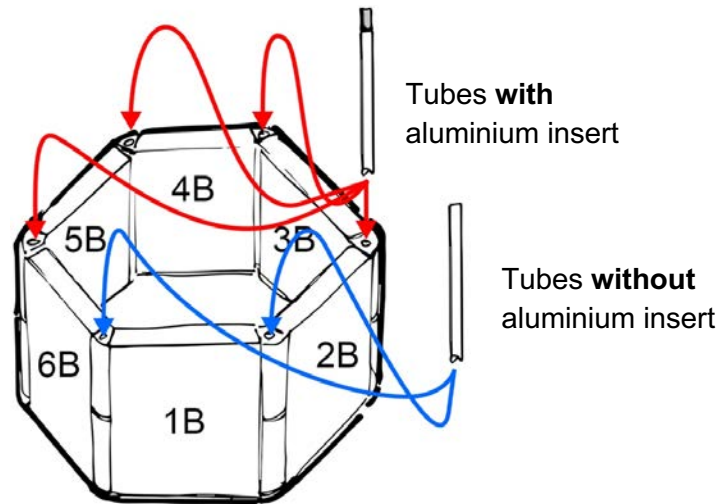
**Other:**

- Instruction / training carried out by an appropriate instructor to all new users.
- Matting of at least 10 cm thickness and 200 cm deep is highly recommended.
- Works well above a foam pit.
- A waiting / spectating area positioned nearby is advised.
- A leaderboard to go with each unit is highly recommended.

**IF YOU ARE IN ANY DOUBT, CALL RUGGED INTERACTIVE DIRECTLY ON +44 (0) 1726 833 882**

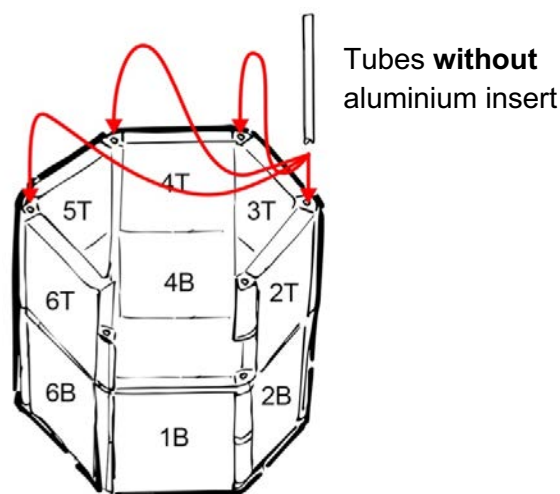
## Installation Instructions

1. Interlock bottom mouldings 1B and 2B as close to 120° as possible. Sections are labelled in the bottom left-hand corner of the graphics panel. Insert a plastic tube **without** the aluminium top through the holes in the corner piece to connect mouldings. Continue to interlock bottom moulding pieces, as shown in **Figure 2.1**, ensuring the correct tube types and mouldings are in the relevant position. Each tube should go through both corner sections and touch the ground.



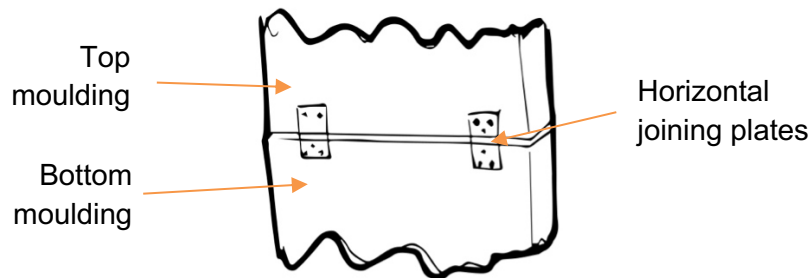
**Figure 2.1:** Insertion of white plastic tubes in bottom mouldings

2. Ensure that the base mouldings are arranged in a hexagonal formation, that they are level and evenly spaced as accurately as possible, i.e. 120° at each corner.
3. Position moulding 2T on top of moulding 2B, one person to hold in position by hand. Working **anti-clockwise**, position moulding 3T on top of moulding 3B so that the corner pieces fit together with moulding 2T. One person to insert a white tube (**without** aluminium insert) through both corner pieces so that it sits on top of the aluminium insert in the bottom section. Approximately 25 mm of tubing should be protruding at the top. Continue working **anti-clockwise**, and repeat steps with mouldings 3T, 4T and 5T. (See **Figure 2.2.**) **Do not fit moulding 1T at this stage.**



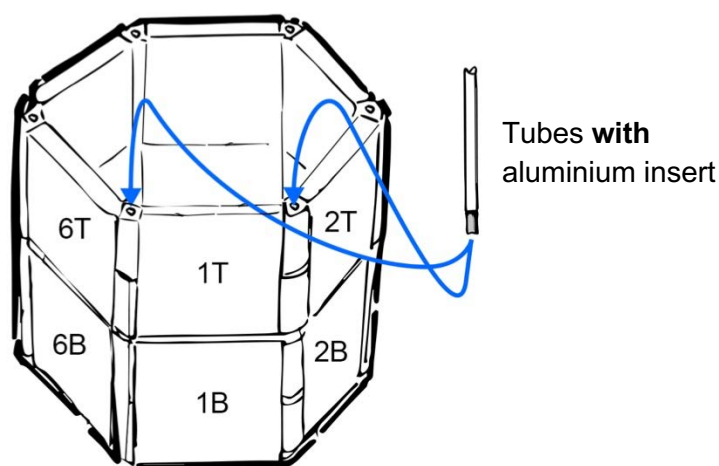
**Figure 2.2:** Top moulding positions

4. Ensure mouldings are level and square to one another. Ensure that any loose cables are not trapped between the mouldings.
5. One person to get into the middle of the TrailBlazer HEX via the remaining opening. I.e. step over moulding 1B. Secure the jointing plates connecting each top and bottom mouldings, as shown in **Figure 2.3**.



**Figure 2.3:** Horizontal joining plates

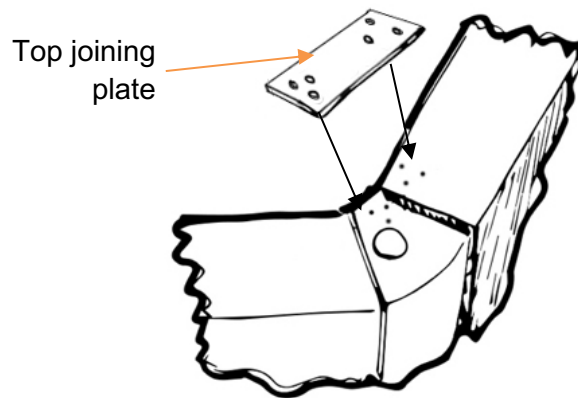
6. At this stage, for extra structural security, the base mouldings can be secured to the floor using angle brackets (not supplied).
7. One-by-one, run the appropriate CAT5 cables to each of the appropriate active grips (as labelled), temporarily securing the loose ends to an appropriate position so that they are accessible from outside of the TrailBlazer HEX. Then connect the CAT5 cables to the grips on moulding 1T.
8. Two people are required to lift the final moulding: 1T, into position, locating the bottom first. This may take some wiggling.
9. Insert the final two white tubes to connect corner pieces of 6T to 1T and 1T to 2T, ensuring that they are sitting on top of the metal insert with approximately 45 mm of the tube protruding at the top. (See **Figure 2.4**.) This also may take some wiggling.



**Figure 2.4:** Fitting moulding 1T



10. Use a stepladder to view the top of one corner piece. Position a top joining plate on top of the corner piece and secure. (See **Figure 2.5.**) Repeat for each corner.



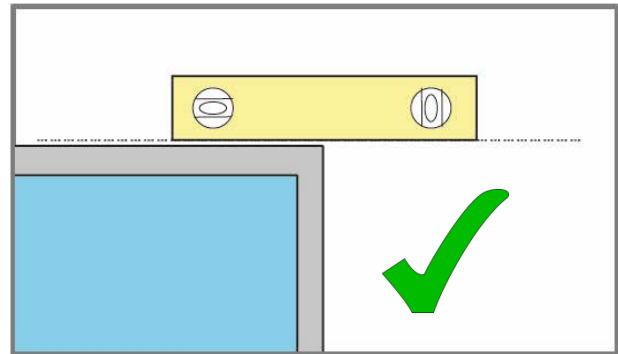
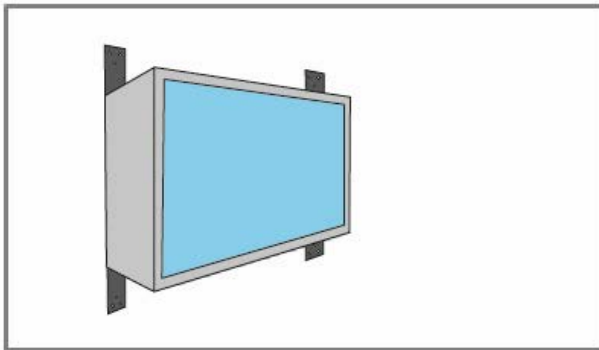
**Figure 2.5:** Top joining plates

11. Mount the control box in a suitable position, such as central pillar or nearby structure. We do not recommend that the control box be positioned on top of one of the mouldings.
12. Connect the loose ends of the CAT5 cables into their corresponding positions (as labelled). Connect the control box to a power source and turn on.
13. Check that the QuickStart games flash red and that they start the correct program. This will ensure that the pods are connected correctly.
14. Once all pods are connected correctly, fully secure all interactive pods with the remaining fixings. (NB: Do not overtighten grip screws.)
15. Use box trunking to tidy away and secure the cables along the top of the wall mouldings.

## TrailBlazer Traverse HEX Display / Score Box (HUB) Installation

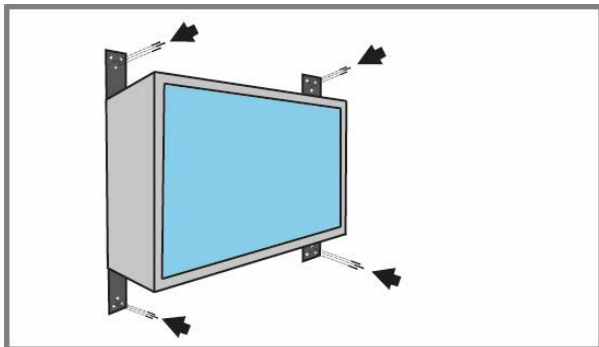
- Fix HUB using any suitable self-tapping or wood screws into the surface material. The HUB can be recessed to be flush with the surface or affixed on top of the foam-backed vinyl if necessary.
- A central position is recommended for easy comparison of scores.
- **Note:** Cables exit is at the rear of the display box.

01



Hold the main body in place, and ensure it is level.

02



Use appropriate fixings and mount the display box to the wall.

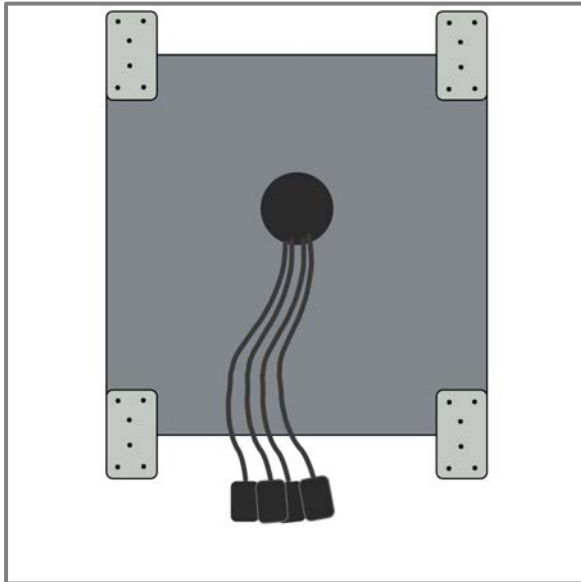
**Note:** Make sure everything is tight and secure and that no cables are trapped.

## Interactive Grips to Score Box (HUB) Installation

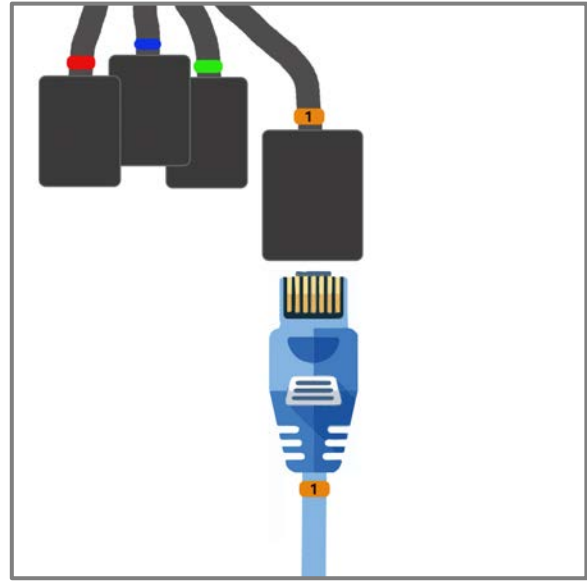
### Notes:

- All supplied CAT5 cables will be numbered. Attach correctly the numbered cable to the designated Hanging cable exiting the back of the HUB and attach it to the designated RJ45 connector connected to the back of the mouldings.

01



Attach CAT5 cables from the hanging cables on the Hub to the RJ45 connector for the relevant grip.



All connectors will be numbered from 1 to 16, match the number on the CAT5 cable to the correct hanging cable from the HUB. Run the cable to the matching numbered hanging RJ45 cable connected the interactive grip.

# Grip Installation and Removal

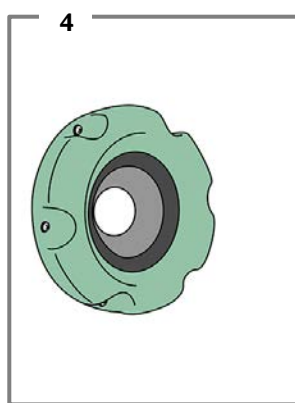
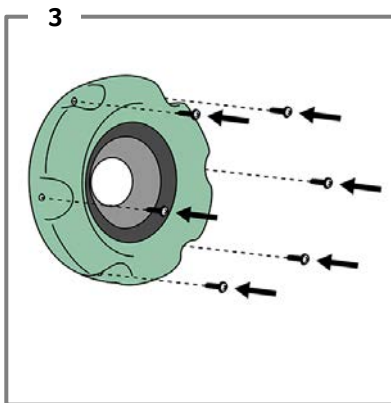
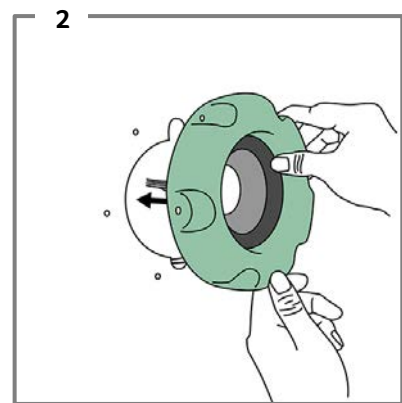
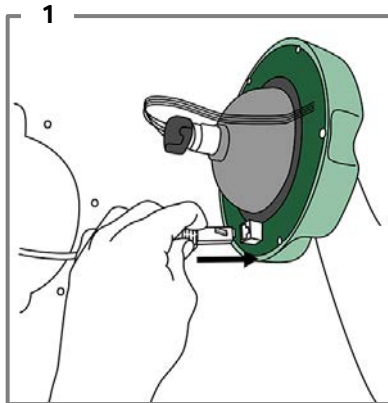
## Installing the Grips

Read this manual before removing or installing any grips.

Power off the TrailBlazer unit.

Do not worry which order the grip come off in. They can be refitted in any order.

**Retain all screws & washers.**

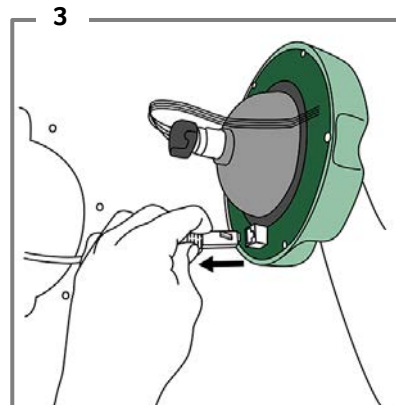
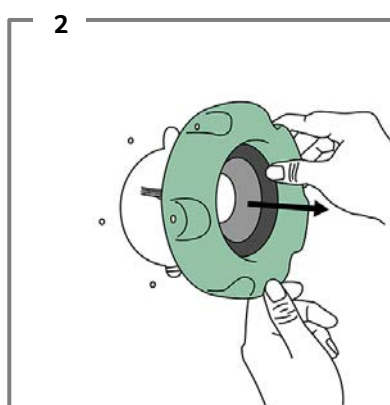
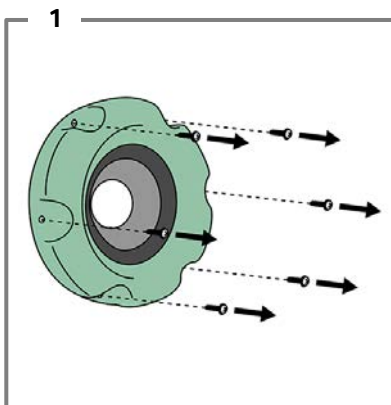


### NOTES:

Ensure CAT5 cable is not strained or trapped. Do not overtighten grip screws.

Power on the TrailBlazer Climbing wall and check operation.

## Removing the Grips





## Section 4 - How to Use

---

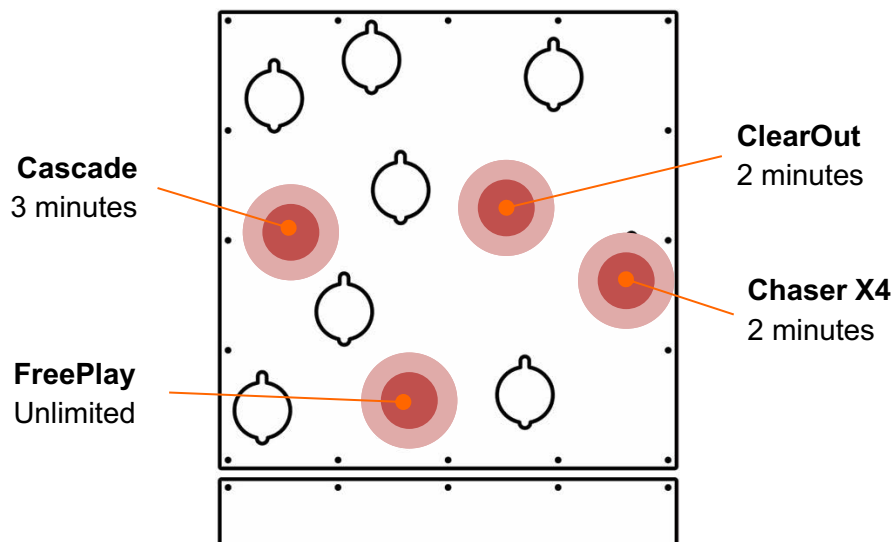
### 4.1 TrailBlazer Traverse Climb

On power up, the TrailBlazer will sound a 'laugh' and will turn to its idle state. Initially the dot matrix will display the **Hub Software Version Number** for the TrailBlazer.

The TrailBlazer Traverse Climb has **four programs**:

1. **Cascade** – 3 minutes
2. **ClearOut** – 2 minutes
3. **Chaser X4** – 2 minutes
4. **FreePlay** – Unlimited

The **red pods** shown in **Figure 4.1** are QuickStart programs. Hit a QuickStart button to start the program.



**Figure 4.1:** TrailBlazer Traverse Climb Programs

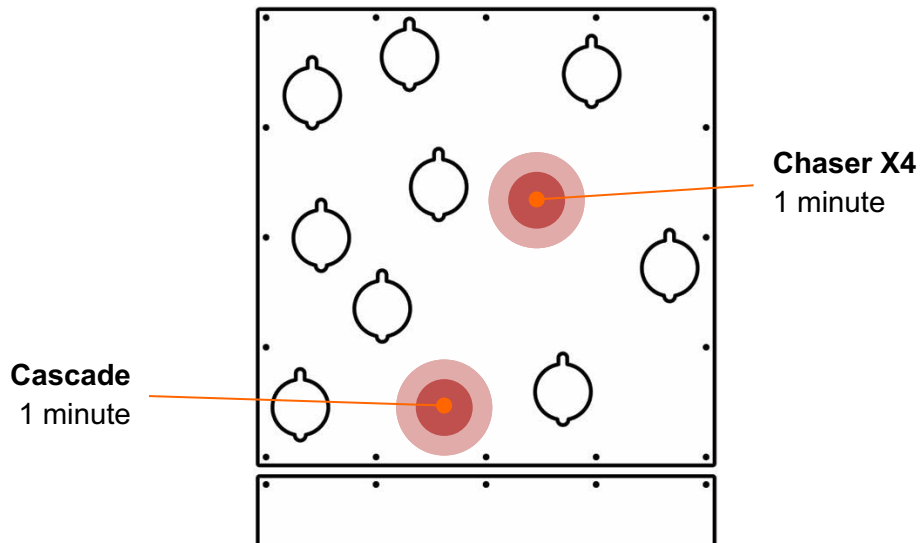
**NOTE:** At any time, if the TrailBlazer behaves unexpectedly, wait for at least 30 seconds (1 minute during FreePlay) for the unit to reset to its idle state.

## 4.2 TrailBlazer Traverse Trampoline

The TrailBlazer Traverse Trampoline has **two programs**:

1. **Cascade** – 1 minute
2. **Chaser X4** – 1 minute

The **red pods** shown in **Figure 4.2** are QuickStart programs. Hit a QuickStart button to start the program.



**Figure 4.2:** TrailBlazer Traverse Trampoline Programs

**NOTE:** At any time, if the TrailBlazer behaves unexpectedly, wait for at least 30 seconds for the unit to reset to its idle state.



## Rugged Interactive

Unit 1, Callywith Gate  
Callywith Industrial Estate, Bodmin  
Cornwall, UK  
PL31 2RQ

+44 (0) 1726 981 123  
www.rugged-interactive.co.uk  
hello@rugged-interactive.co.uk

# Section 5 - Programs Guide

---

## ClearOut

- Summary:** For stimulating climbing speed and effectiveness. Improve hand-eye coordination, balance, core strength, upper body fitness, and mental alertness. Encourages competition both individually (personal high scores) and against others when playing in a pair or team. An exciting high scoring game for climbers of all ability.
- TrailBlazer:** Climb only.
- Who for:** Play individually, in pairs or as a team.
- Gameplay:** All pods will appear **green**. On selection of each illuminated pod, the light will turn out. Once all lit pods are cleared, all pods will reappear **blue**. Once all of the **blue pods** are cleared, all pods will reappear **red**. Once all of the **red pods** are cleared, all pods will reappear **green**, etc.
- Aim:** To clear as many illuminated pods as possible within the given time limit.
- Scoring system:** +1 point for each pod hit
- Duration:** 2 minutes

**NOTE:** At any time, if the CardioWall behaves unexpectedly during gameplay, wait for at least 30 seconds of inactivity for the unit to reset to its idle state.

## Cascade

- Summary:** A high intensity challenge of speed and visual awareness. Ideal for developing and challenging physical coordination, hand-eye coordination, core stability and reaction time and speed. A fast and high scoring game.
- TrailBlazer:** Climb and Trampoline.
- Who for:** Play individually, in pairs or as a team.
- Gameplay:** All pods will illuminate. The pods will firstly appear **blue**, then change to **green**, then **yellow**, then finally **red**. Each colour change takes 3 seconds - therefore 12 seconds in total before a pod position change. Once all lit pods are cleared, a new set of lit pods will appear.
- Aim:** To score as many points as possible with in the given time limit by hitting the illuminated pods.
- Scoring system:** +4 points for each **blue pod** hit  
+3 points for each **green pod** hit  
+2 points for each **yellow pod** hit  
+1 point for each **red pod** hit
- Duration:** 3 minutes on Climb. 1 minute on Trampoline.
- Why not try:** 'Tag team': When a player slips off or touches the ground with their feet, another player takes over. This doubles the number of active participants, adds to the pressure and the fun, and rewards climbing precision.

**NOTE:** At any time, if the CardioWall behaves unexpectedly during gameplay, wait for at least 30 seconds of inactivity for the unit to reset to its idle state.



## Chaser X4

- Summary:** A pure speed and reaction challenge which also tests peripheral vision and spatial awareness. A mental and physical test, encouraging competition, cooperation and social interaction. A game that requires accuracy, problem solving and patience to reach a high score.
- TrailBlazer:** Climb and Trampoline.
- Who for:** 1-4 individual players, or 3-4 teams of 2 players alternating on the TrailBlazer. Best played in a group – challenge each other to the highest score.
- Gameplay:** 1 **red** pod, 1 **blue** pod, 1 **green** pod and 1 **yellow** pod are lit at random. On selection of a coloured pod, it reappears elsewhere. I.e. if the **red** pod is hit, the **red** pod reappears elsewhere. This would be the same for the **blue**, **green** and **yellow** chaser pod. Each player chases his or her chosen coloured pod.
- Aim:** To hit as many lit pods with in the given time limit as possible.
- Scoring system:** +1 point for each pod hit
- Display at the end of the game will display “BLUE WINS” or “GREEN WINS” or “RED WINS” or “YELLOW WINS” depending on who has the highest score. If the top two scores are the same, the display should show “GREEN + BLUE WIN”, etc. If all three or four colours have the same score, the display should show “DRAW”. This will flash in turn with the winning/highest score: e.g. “SCORE: 18”.
- Duration:** 2 minutes on Climb. 1 minute on Trampoline.

**NOTE:** At any time, if the CardioWall behaves unexpectedly during gameplay, wait for at least 30 seconds of inactivity for the unit to reset to its idle state.

## Free Play

<b>Summary:</b>	An unlimited game of Cascade, allowing children to play without any timeouts. A high intensity challenge of speed and visual awareness. Ideal for social interaction and teamwork. A high scoring, fast and fun game.
<b>TrailBlazer:</b>	Climb only.
<b>Who for:</b>	Play individually, in pairs or as a team.
<b>Gameplay:</b>	All pods will illuminate. The pods will firstly appear <b>blue</b> , then change to <b>green</b> , then <b>yellow</b> , then finally <b>red</b> . Each colour change takes 3 seconds - therefore 12 seconds in total before a pod position change. Once all lit pods are cleared, a new set of lit pods will appear.
<b>Aim:</b>	To score as many points as possible by hitting the illuminated pods.
<b>Scoring system:</b>	+4 points for each <b>blue pod</b> hit +3 points for each <b>green pod</b> hit +2 points for each <b>yellow pod</b> hit +1 point for each <b>red pod</b> hit
<b>Duration:</b>	Unlimited

**NOTE:** At any time, if the CardioWall behaves unexpectedly during gameplay, wait for at least 1 minute of inactivity for the unit to reset to its idle state.



## Rugged Interactive

Unit 1, Callywith Court,  
Callywith Industrial Estate,  
Bodmin, Cornwall, UK  
PL31 2RQ

+44 (0) 1726 981 123

[www.rugged-interactive.co.uk](http://www.rugged-interactive.co.uk)

[hello@rugged-interactive.co.uk](mailto:hello@rugged-interactive.co.uk)

# TrailBlazer Traverse HEX System Specifications

---

## Dimensions and Weights:

	Approx. Shipment Details		Fully Assembled Details	
	Size (mm)	Weight	Size (mm)	Weight
TrailBlazer Traverse <i>(single moulding)</i>	-	-	1090 x 160 x 1090	18 kg
TrailBlazer Traverse HEX	2 x pallets, each max.: 1150 x 1400 x 1450	430 kg	2180 x 1890 x 2180	360 kg
Display / Score Box (HUB)	n/a	n/a	380 x 75 x 380	3 kg

## Power Supply:

AC: 110-230V, 50-60Hz, 13A

## Warranty:

1 year on electronics. 3 years on all other parts.

## Regulatory Requirements:

CE Approved.

## Operating Environment:

Indoors: keep dry and out of direct sunlight.

Area required clear in front of the TrailBlazer Traverse: depth of 1 m minimum.

Optimum ambient temperature: 5°C to 30°C. Avoid extreme fluctuations of temperature.

## Other:

All parts designed for easy maintenance. Replacement LED pods can be swapped out by staff in seconds.

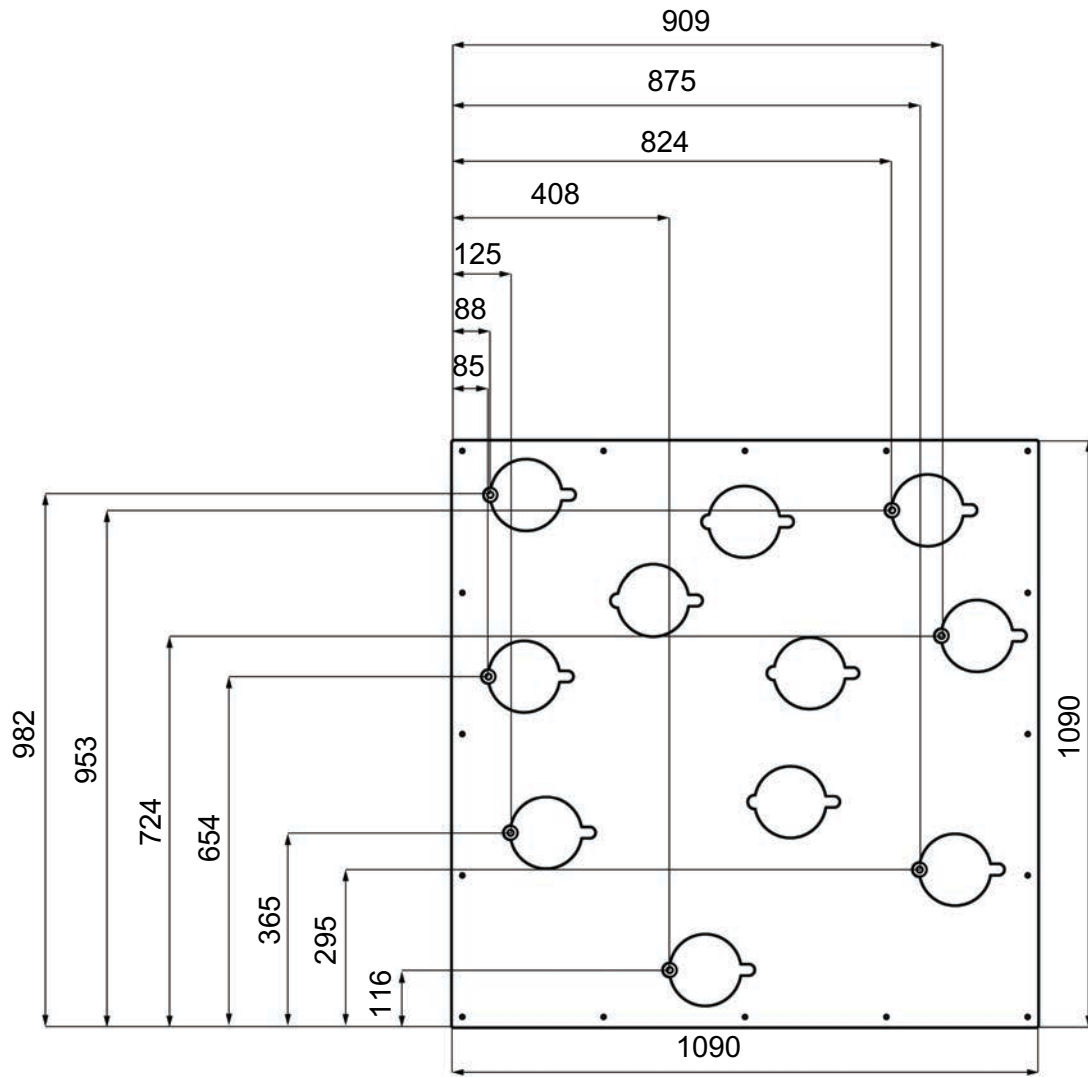


Figure 1: Mounting Points (Dimensions in mm)

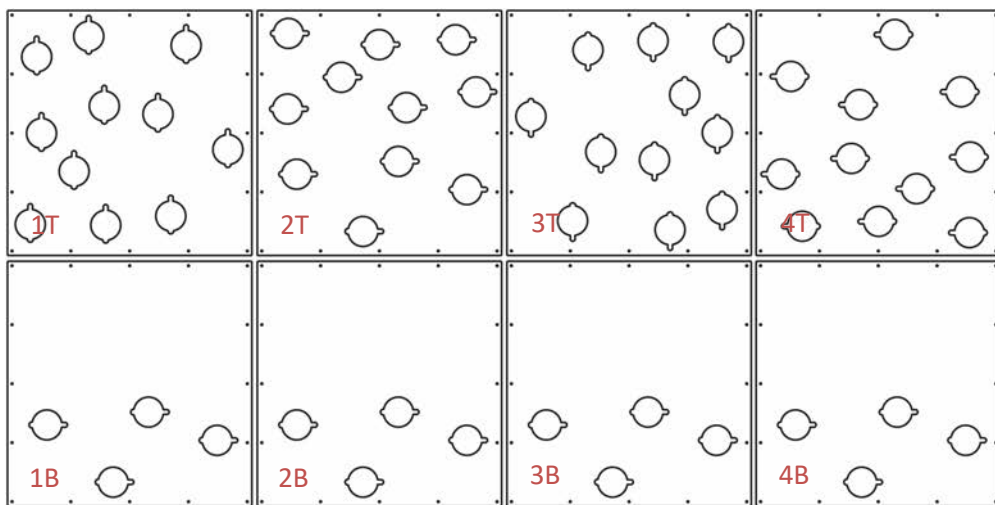
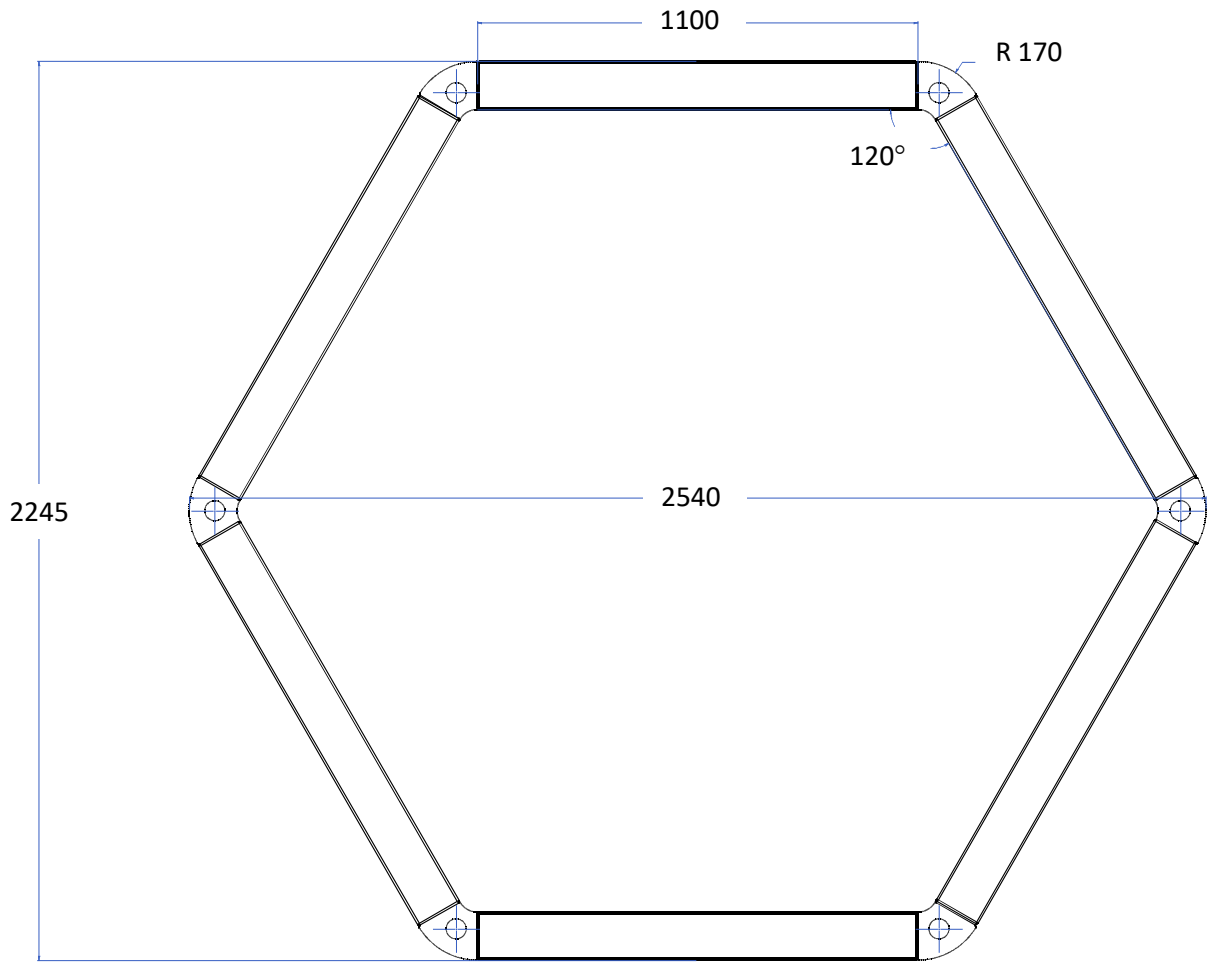


Figure 2: Panel Orientations



**Figure 3: Hex Footprint**



## ■ Features

- Universal AC input / Full range
- 2 pole AC inlet IEC320-C8
- Medical safety approved (2 x MOPP between primary to secondary)
- Suitable for BF application with appropriate system consideration
- Low leakage current <50uA
- No load power consumption<0.1W
- Energy efficiency level VI(Except 5~9V for Level V)
- Comply with EISA 2007/DoE,NRCan, AU/NZ MEPS, EU ErP and meet CoC Version 5
- Built-in active PFC function
- High efficiency up to 91.5%
- Fanless design with -30~+60°C working temperature
- Class II power (without earth pin)
- Protections: Short circuit / Overload / Over voltage / Over temperature
- Fully enclosed plastic case
- LED indicator for power on
- 100% full load burn-in test



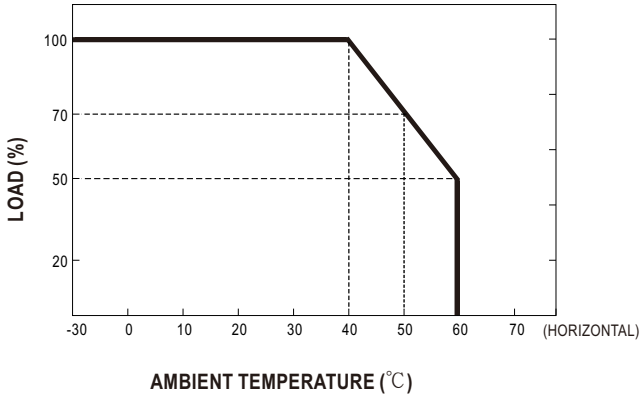
# Power Supply Specification

## SPECIFICATION

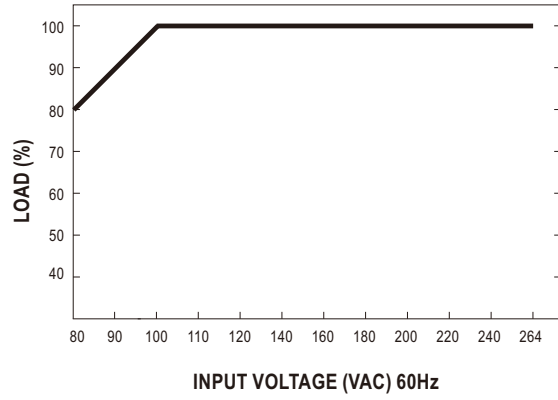
<b>PRODUCT</b>		<b>GSM60B12-P1J</b>	
<b>OUTPUT</b>	<b>SAFETY MODEL NO.</b>	GSM60B12	
	<b>DC VOLTAGE</b> <small>Note.2</small>	12V	
	<b>RATED CURRENT</b>	5A	
	<b>CURRENT RANGE</b>	0 ~ 5A	
	<b>RATED POWER (max.)</b>	60W	
	<b>RIPPLE &amp; NOISE (max.)</b> <small>Note.3</small>	100mVp-p	
	<b>VOLTAGE TOLERANCE</b> <small>Note.4</small>	± 3.0%	
	<b>LINE REGULATION</b> <small>Note.5</small>	± 1.0%	
	<b>LOAD REGULATION</b>	± 3.0%	
	<b>SETUP, RISE TIME</b> <small>Note.6</small>	1000ms, 30ms / 230VAC      1500ms, 30ms / 115VAC at full load	
<b>HOLD UP TIME (Typ.)</b>	50ms / 230VAC      15ms / 115VAC at full load		
<b>INPUT</b>	<b>VOLTAGE RANGE</b> <small>Note.7</small>	80 ~ 264VAC    120 ~ 370VDC	
	<b>FREQUENCY RANGE</b>	47 ~ 63Hz	
	<b>EFFICIENCY (Typ.)</b>	88%	
	<b>AC CURRENT (Typ.)</b>	1.4A / 115VAC    1A / 230VAC	
	<b>INRUSH CURRENT (Typ.)</b>	30A / 115VAC    65A / 230VAC	
	<b>LEAKAGE CURRENT(max.)</b>	Touch current < 50µA/264VAC	
<b>PROTECTION</b>	<b>OVERLOAD</b>	105 ~ 160% rated output power Protection type : Hiccup mode, recovers automatically after fault condition is removed	
	<b>OVER VOLTAGE</b>	12.6 ~ 16.2V Protection type : Shut down o/p voltage, re-power on to recover	
	<b>OVER TEMPERATURE</b>	Shut down o/p voltage, re-power on to recover	
<b>ENVIRONMENT</b>	<b>WORKING TEMP.</b>	-30 ~ +60°C (Refer to "Derating Curve")	
	<b>WORKING HUMIDITY</b>	20% ~ 90% RH non-condensing	
	<b>STORAGE TEMP., HUMIDITY</b>	-40 ~ +85°C, 10 ~ 95% RH	
	<b>TEMP. COEFFICIENT</b>	± 0.03% / °C (0 ~ 40°C)	
	<b>VIBRATION</b>	10 ~ 500Hz, 2G 10min./1cycle, period for 60min. each along X, Y, Z axes	
<b>SAFETY &amp; EMC (Note. 8)</b>	<b>SAFETY STANDARDS</b>	ANSI/AAMI ES60601-1 / ES60601-1-11, TUV EN60601-1 / 60601-1-11 approved	
	<b>ISOLATION LEVEL</b>	Primary-Secondary: 2xMOPP	
	<b>WITHSTAND VOLTAGE</b>	I/P-O/P:4KVAC	
	<b>ISOLATION RESISTANCE</b>	I/P-O/P:100M Ohms / 500VDC / 25°C / 70% RH	
	<b>EMC EMISSION</b>	Compliance to EN55011(CISPR11) class B, EN61000-3-2,3, FCC PART 15 class B,CAN ICES-3(B)/NMB-3(B)	
	<b>EMC IMMUNITY</b>	Compliance to EN61000-4-2,3,4,5,6,8,11, EN55024, EN60601-1-2, EN61204-3 medical level, criteria A	
<b>OTHERS</b>	<b>MTBF</b>	720K hrs min. MIL-HDBK-217F(25°C)	
	<b>DIMENSION</b>	125*50*31.5mm (L*W*H)	
	<b>PACKING</b>	0.32Kg; 40pcs/13.8Kg/1.05CUFT	
<b>CONNECTOR</b>	<b>PLUG</b>	See page 3 ; Other type available by customer requested	
	<b>CABLE</b>	See page 3 ; Other type available by customer requested	
<b>NOTE</b>	<ol style="list-style-type: none"> <li>All parameters are specified at 230VAC input, rated load, 25°C 70% RH ambient.</li> <li>DC voltage: The output voltage set at point measure by plug terminal &amp; 50% load.</li> <li>Ripple &amp; noise are measured at 20MHz by using a 12" twisted pair terminated with a 0.1uf &amp; 47uf capacitor.</li> <li>Tolerance: includes set up tolerance, line regulation, load regulation.</li> <li>Line regulation is measured from low line to high line at rated load.</li> <li>Length of set up time is measured at first cold start. Turning ON/OFF the power supply may lead to increase of the set up time.</li> <li>Derating may be needed under low input voltages. Please check the derating curve for more details.</li> <li>The power supply is considered as an independent unit, but the final equipment still need to re-confirm that the whole system complies with the EMC directives. For guidance on how to perform these EMC tests, please refer to "EMI testing of component power supplies." (as available on <a href="http://www.meanwell.com">http://www.meanwell.com</a>)</li> </ol>		



## Derating Curve

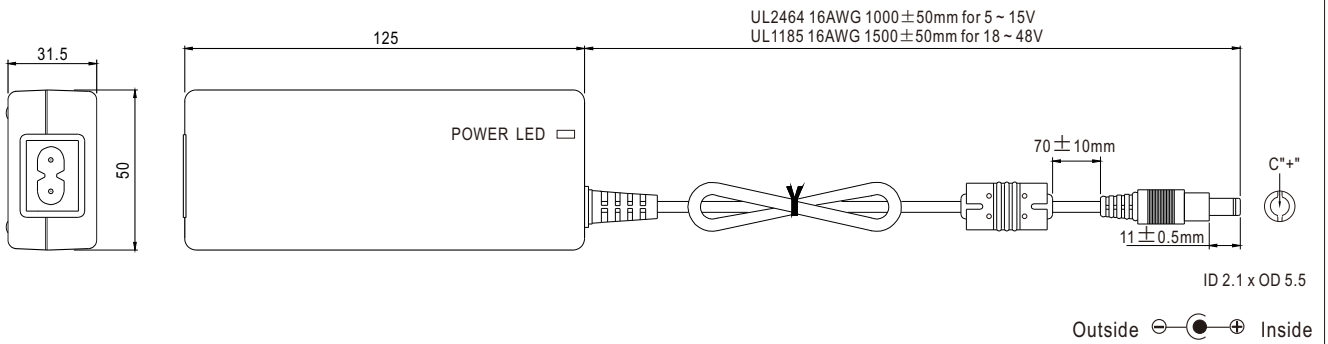


## Static Characteristics



## Mechanical Specification

Case No. GSM60B Unit:mm



## Plug Assignment

Standard plug: P1J

P1J	
P/N	OUTPUT
CENTER	+





## Rugged Interactive

Unit 1, Callywith Court,  
Callywith Industrial Estate,  
Bodmin, Cornwall, UK  
PL31 2RQ

+44 (0) 1726 981 123

[www.rugged-interactive.co.uk](http://www.rugged-interactive.co.uk)

[hello@rugged-interactive.co.uk](mailto:hello@rugged-interactive.co.uk)

# TrailBlazer Traverse HEX Installation Checklist

---

Please complete this checklist after any installation:

### Check 1: Pre-power up checks.

- Equipment is stable and secure capable of supporting its weight and gameplay.
- All fixings are tight and secure.
- No signs of damage, component failure and/or missing parts.
- No trapped and/or pinched cables.
- No loose cables that could become a tripping hazard.
- All long cables are supported at least every 50 cm.
- Adequate strain relief provided for connection points.
- Kept out of direct sunlight during the day.
- All electric components away from contact with water.
- Protective plastic sheets removed from front graphic panels.

### Check 2: Plug into a mains socket and power up.

- All pods light up.
- Text appears on the hub display and is as expected. *E.g. TrailBlazer Traverse.*
- Sound volume is at a suitable level\*.

### Check 3: Select Cascade via Quick Start.

- Program counts down from 3 and begins.
- All pods active and operational.
- Check all pods for colours: blue, green, yellow, red.
- Sounds can be heard when the lights are hit.
- Program plays as described in the Programs Guide.

**Check 4: Ready for use.**

Play area is clear.

Instruction / training carried out by an appropriate instructor to all new users.

**If anything unexpected occurs or problems persist after troubleshooting, call Rugged Interactive directly on +44 (0) 1726 833 882.**

\* The volume can be adjusted on the scoreboard. The volume control (a black dial) is located on the bottom edge of the scoreboard. Rotate clockwise for volume up, counter-clockwise for volume down.



## Rugged Interactive

Unit 1, Callywith Gate  
Callywith Industrial Estate, Bodmin  
Cornwall, UK  
PL31 2RQ

+44 (0) 1726 981 123

[www.rugged-interactive.co.uk](http://www.rugged-interactive.co.uk)  
[hello@rugged-interactive.co.uk](mailto:hello@rugged-interactive.co.uk)

## Next Steps

---

### Train team members

Train your team members on how to use TrailBlazer Traverse HEX, having knowledge of the gameplay will help them encourage users. Inspire them to cheer and celebrate with the customers when they achieve high scores.

### Maintenance

General care and maintenance procedures for your Rugged Interactive product.

1. Inspect the product daily for any signs of damage or loose components. Repair or tighten as applicable.
2. Turn on the product, check the LEDs and sound is working as expected.
3. Start a game, check all pods/sensors work and react as expected. Please refer to the manual for instructions on gameplay.
4. If a pod has seven (7) or fewer working LEDs, we recommend replacing the pod.
5. We suggest non-solvent glass cleaning spray, avoid spraying directly onto the pods. Use a non-abrasive microfibre cloth and extremely light pressure when wiping the product. Too much pressure will scratch the graphics panel.
6. Only use accessories recommended by the manufacturer with the products. Accessories not recommended could cause serious damage.
7. Every three months check the fixings are tight.
8. Once a year, check the structure supporting the product is still solid.
9. We recommend turning the products off when they are not in use (close of business), this will help to extend the life of the product.

### Marketing

With this being such an eye-catching product, it is excellent for use in posts on social media, either featuring in photos or videos.

If you would like any help, guidance or examples of using this product in your marketing campaign, please contact Rugged Interactive and we will be able to assist with this.



## Rugged Interactive

Unit 1, Callywith Gate  
Callywith Industrial Estate, Bodmin  
Cornwall, UK  
PL31 2RQ

+44 (0) 1726 981 123  
[www.rugged-interactive.co.uk](http://www.rugged-interactive.co.uk)  
[hello@rugged-interactive.co.uk](mailto:hello@rugged-interactive.co.uk)

## Congratulations!

---

**Congratulations on your new Rugged Interactive product! Your customers are going to love this, and it is a great addition to your venue!**

If there is anything we can assist with or if you would be interested in information about any other Rugged Interactive products, then please do not hesitate to get in contact.