



rugged. interactive

# CardioWall®

## FreeStyle

### Order and Installation Manual

For models from May 2018 onwards



#### **Rugged Interactive**

Unit 1, Callywith Court  
Callywith Industrial Estate, Bodmin  
Cornwall, UK  
PL231 2RQ

+44 (0) 1726 981 123  
[www.rugged-interactive.co.uk](http://www.rugged-interactive.co.uk)  
[hello@rugged-interactive.co.uk](mailto:hello@rugged-interactive.co.uk)

Updated 18/01/2021



## **Rugged Interactive**

Unit 1, Callywith Court  
Callywith Industrial Estate, Bodmin  
Cornwall, UK  
PL31 2RQ

+44 (0) 1726 981 123

[www.rugged-interactive.co.uk](http://www.rugged-interactive.co.uk)

[hello@rugged-interactive.co.uk](mailto:hello@rugged-interactive.co.uk)

# **Contents**

---

## **Section 1 – Ordering Process**

- 1.1 Need to Know
- 1.2 Order and Installation Checklist
- 1.3 Product Overview
- 1.4 Ordering and Installation Timeline
- 1.5 Getting Started
- 1.6 Place Order

## **Section 2 – Safety Guidelines**

- 2.1 Installation Safety Guidelines
- 2.2 In Play Safety Guidelines

## **Section 3 – Installation**

- 3.1 Parts List
- 3.2 Tools and Components List
- 3.3 Installation Overview
- 3.4 Detailed Installation

## **Section 4 – How to Use**

## **Section 5 – Programs Guide**

## **FreeStyle System Specifications**

## **FreeStyle Installation Checklist**

## **Next Steps**



## Rugged Interactive

Unit 1, Callywith Court  
Callywith Industrial Estate, Bodmin  
Cornwall, UK  
PL31 2RQ

+44 (0) 1726 981 123  
[www.rugged-interactive.co.uk](http://www.rugged-interactive.co.uk)  
[hello@rugged-interactive.co.uk](mailto:hello@rugged-interactive.co.uk)

# Section 1 – Ordering Process

---

## 1.1 - Need to Know

### Installation manual purpose and limitations

This manual is intended to provide guidance only, the installation of the Rugged Interactive product will be under your control. You will be responsible for making sure, upon completion of the installation, it is safe to use. As always, we are here to support you, please get in touch if you are in any doubt.

### Regulations

Some countries and states have regulations which may be applicable to the Rugged Interactive products, it is your responsibility to check that the product complies with such regulations. This should be conducted during the planning phase for the installation location.



## Rugged Interactive

Unit 1, Callywith Gate  
Callywith Industrial Estate, Bodmin  
Cornwall, UK  
PL31 2RQ

+44 (0) 1726 981 123  
[www.rugged-interactive.co.uk](http://www.rugged-interactive.co.uk)  
[hello@rugged-interactive.co.uk](mailto:hello@rugged-interactive.co.uk)

## 1.2 - Order and Installation Checklist

---

- Contact the Rugged Interactive sales team or a partner / distributor to begin the process.
- Confirm the invoice and delivery address along with date required (lead time is at least 5 weeks), VAT number required for export customers.
- Complete site survey.
- Send purchase order or confirm order.
- Make first payment.
- Discuss graphic requirements and provide logos and branding guidelines.
- Approve graphics.
- Make second payment (required a week before dispatch).
- Schedule time and team members for installation.
- Before install, confirm all tools and components are prepared.
- Organise shipment (Customer collection or delivery organised by Rugged Interactive).
- Receive your order.
- Install the product.
- Test and complete installation checklist.
- Train the team on how to use the product.
- Sounds can be heard when the targets are hit.
- Reveal your new Rugged Interactive product to your guests and customers!



## Rugged Interactive

Unit 1, Callywith Gate  
Callywith Industrial Estate, Bodmin  
Cornwall, UK  
PL31 2RQ

+44 (0) 1726 981 123

www.rugged-interactive.co.uk  
hello@rugged-interactive.co.uk

### 1.3 – FreeStyle Overview

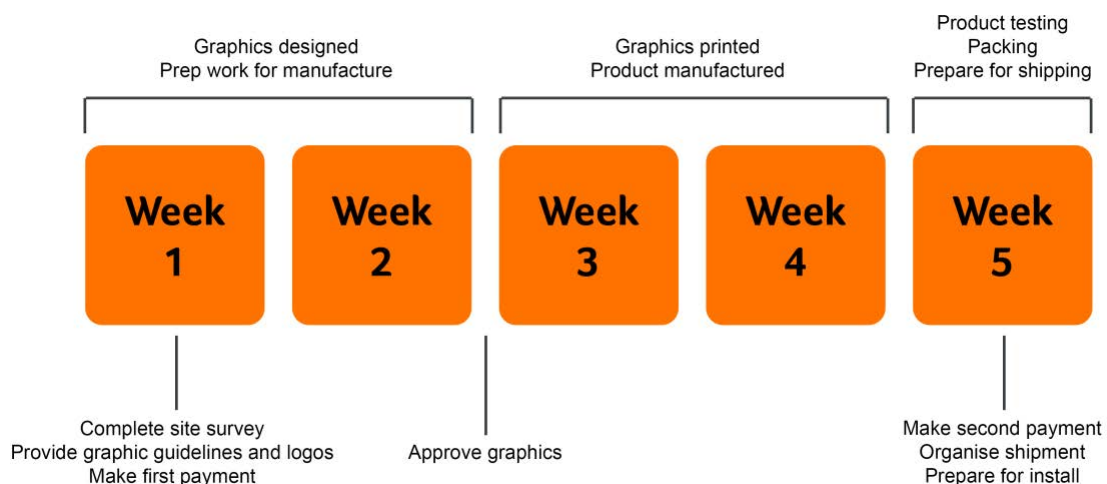
Reaction walls that will add a new and exciting interactive dimension to your trampoline park. Available as a single or Duo, they test reaction speed, visual alertness, hand-eye co-ordination and jumping accuracy.

With a FreeStyle Duo, compete directly against another player to build a huge score (and bragging rights!)

With fully customisable graphics, the FreeStyle or FreeStyle Duo is guaranteed to create a buzz and make your trampoline park stand out.



### 1.4 - Order and Installation Timeline



\* We do our best to ensure orders are ready on a five-week lead time, however during busy periods or for large orders, the lead time may be longer than outlined here. Lead time will also be affected by graphics guidelines, approval and payment delays.



## Rugged Interactive

Unit 1, Callywith Court  
Callywith Industrial Estate, Bodmin  
Cornwall, UK  
PL31 2RQ

+44 (0) 1726 981 123  
[www.rugged-interactive.co.uk](http://www.rugged-interactive.co.uk)  
[hello@rugged-interactive.co.uk](mailto:hello@rugged-interactive.co.uk)

## 1.5 - Getting Started

---

### New Parks

During the design process for the new park, incorporate the intended products into the design, product specifications can be found within this manual for the relevant product and CAD files can be supplied upon request.

### Existing Parks

When retrofitting existing parks, all specifications can be found within this manual or CAD files are available at request. If further information is required, please get in touch and we will be able to provide further information and guidance.

## 1.6 - Place Order

---

To begin the order process with Rugged Interactive:

Email:

[Sales@rugged-interactive.co.uk](mailto:Sales@rugged-interactive.co.uk)

Or call the Sales Office:

+44 (0) 7585 955 184

**HQ/Production Address:**

Unit 1 Callywith Court  
Callywith Ind. Estate,  
Bodmin,  
Cornwall  
UK  
PL31 2RQ

**Sales Office Address:**

Rugged Interactive,  
Future Space,  
UWE North Gate,  
Filton Road,  
Bristol,  
UK  
BS34 8RB



## Rugged Interactive

Unit 1, Callywith Court  
Callywith Industrial Estate, Bodmin  
Cornwall, UK  
PL31 2RQ

+44 (0) 1726 981 123  
[www.rugged-interactive.co.uk](http://www.rugged-interactive.co.uk)  
[hello@rugged-interactive.co.uk](mailto:hello@rugged-interactive.co.uk)

# Section 2 - Safety Guidelines

---

## 2.1 Installation Safety Guidelines

Before installing any Rugged Interactive product, please read the following:

### Dos:

- Ensure that a Site Survey form has been completed prior to installation.
- Have ready suitable equipment, tools and/or man power.
- Observe correct manual handling techniques whilst moving and installing the equipment.
- If being installed onto a wall, the product **MUST** be mounted onto a wall of a construction capable of supporting its weight and gameplay. If possible, avoid stud walls or unsupported portal infills. If in doubt always contact a suitably qualified surveyor to check.
- Visually check the product for any signs of damage, component failure and/or missing parts.
- To prevent electric shock, keep all electric components away from contact with water.
- Ensure to take anti-static precautions.
- Wear appropriate clothing: do not wear loose clothing or jewellery.
- Long hair should be tied back.
- Tidy back loose cables that could become a tripping hazard.
- Ensure that the playing area is clear.
- Immediately inform Rugged Interactive for maintenance advice if you have concerns.

### Don'ts:

- Do not wear shoes with leather soles or high heels.
- Do not use any tools that are not specifically recommended by the manufacturer.
- Do not use the surface of the trampoline to balance ladders or alike.
- Do not distract others while they are installing the product.

## 2.2 In Play Safety Guidelines

Please ensure you read the following points before using the equipment:

**This activity can be great fun, but it can also be dangerous. There is a risk of serious injury if care is not taken when using the equipment. Use of this equipment is physically demanding: this is a high-impact, full body activity which requires intense focus, awareness of your body's strengths and limitations, awareness of the environment around you and extreme caution.**

### Dos:

- Before beginning any exercise program, it is recommended that you consult with your doctor.
- Children under the age of 7 years must always be supervised by an adult (over 16 years) when using the equipment and/or recommended accessories.
- Visually check the equipment before using it for any signs of damage, component failure or loose cables that could become a tripping hazard. Report any concerns, e.g. loose or damaged equipment, to a member of staff immediately.
- Ensure you familiarise yourself with any additional facility rules that may apply.
- Ensure that the play area in front of the equipment is clear before attempting to participate.
- Only participate if you are in good physical condition. Participate only within your capabilities / recommended exercise level.
- Wear appropriate clothing.
- Remove all items from your pockets prior to participation.
- Long hair should be tied back.
- Before use, loosen up with warm up exercises and stretches.
- Practice being in control of your bounce before using the equipment. Always remain in control. Uncontrolled jumps or falls are likely to result in injuries to yourself and/or others.
- Only those participating are allowed in the activity area. If waiting to participate, stand back at a safe distance from the equipment.
- Make sure you have control before leaving the trampolines, obstacles or activity equipment.
- Report any unusual or inappropriate behaviour to a member of staff immediately.
- If you get tired, leave the equipment / activity area and take a break.
- If you feel any pain, dizziness, nausea or any other abnormal symptoms, STOP YOUR WORKOUT IMMEDIATELY. Consult your doctor immediately. Incorrect or excessive training may lead to injuries.



**Don'ts:**

- No more than one active user on a single trampoline at any one time.
- Do not attempt to use any of the equipment without undertaking instruction / training carried out by an appropriate instructor.
- Do not participate if you are unwell or have any pre-existing medical conditions including heart, back, neck, bone and/or muscle conditions.
- Do NOT work to exhaustion.
- Do not participate if you are or maybe pregnant.
- Do not wear loose clothing or jewellery (including studs and watches). Clothing should not have any hard or sharp points (such as buckles, studs, toggles or alike).
- Do not wear shoes with leather soles, high heels, sandals, boots or bare feet.
- No food, drink or chewing gum during participation.
- No phones or cameras in the activity area.
- Do not leave clothing or personal belongings around the activity areas.
- Do not participate under the influence of alcohol and/or drugs.
- Do not attempt any move beyond your own skill level.
- Never attempt flips or other extreme moves unless you know you are capable and have had the appropriate training.
- No double flips, triple flips, diving or gainers, even if you are capable.
- Do not distract others while they are using the equipment.
- Do not attempt to catch anyone who may fall.
- Do not sit, lie, stand or rest under the activity equipment and/or surrounding padding/mats.
- Never lean on, jump on, climb, grab, or lift any safety pads or safety nets.
- Do not use any accessories that are not specifically recommended by the manufacturer. These might cause injuries or cause the equipment to fail.



## Rugged Interactive

Unit 1, Callywith Gate  
Callywith Industrial Estate, Bodmin  
Cornwall, UK  
PL31 2RQ

+44 (0) 1726 981 123  
[www.rugged-interactive.co.uk](http://www.rugged-interactive.co.uk)  
[hello@rugged-interactive.co.uk](mailto:hello@rugged-interactive.co.uk)

# Section 3 - Installation

---

## 3.1 - Parts List

Please check off the received parts for the installation and alert Rugged Interactive immediately if anything is missing.

- |                             |                          |
|-----------------------------|--------------------------|
| 1 x FreeStyle Wall. *       | <input type="checkbox"/> |
| 4 x Bungs. *                | <input type="checkbox"/> |
| 4 x M8 x 50 coach screws. * | <input type="checkbox"/> |
| 4 x M8 x 25 washers. *      | <input type="checkbox"/> |
| Poster with Velcro          | <input type="checkbox"/> |
| 1 x Spare Pod.              | <input type="checkbox"/> |
| Manual.                     | <input type="checkbox"/> |

\* Please note, quantities are for a single FreeStyle, if a FreeStyle Duo been ordered, double these quantities.

### Also included if a Duo has been ordered:

- |                                 |                          |
|---------------------------------|--------------------------|
| 1 x Two player launch box (MPL) | <input type="checkbox"/> |
| 3 x 5m Cables for MPL           | <input type="checkbox"/> |

## 3.2 - Tools and Components List

---

Arrange the necessary tools and the team to install the product.

- Ladder.
- Spirit level.
- Socket Set.
- Industrial vacuum cleaner.
- Dustpan and brush.
- SDS impact drill.
- Cordless drill – with torque adjuster to avoid over-tightening the screws.
- A set of No.2 Pozi bits.
- A set of screwdrivers.
- A set of Hex keys



## Rugged Interactive

Unit 1, Callywith Court  
Callywith Industrial Estate, Bodmin  
Cornwall, UK  
PL31 2RQ

+44 (0) 1726 981 123  
[www.rugged-interactive.co.uk](http://www.rugged-interactive.co.uk)  
[hello@rugged-interactive.co.uk](mailto:hello@rugged-interactive.co.uk)

### 3.3 - Installation Overview

---

Below is an overview of the steps needed to install the FreeStyle. More detail for the process is provided in the following pages. Please read through ALL of this prior to beginning the installation and if you are in any doubt, contact Rugged Interactive.

If you have any concerns on how or what the product is installed to, contact a structural engineer prior to beginning the installation.

**STEP 1:** Cut holes in Plywood for cable access.

**STEP 2:** Mount FreeStyle.

**STEP 3:** Mount MPL (if Duo purchased).

**STEP 4:** Attach cables to MPL (if Duo purchased).

**STEP 5:** Turn on FreeStyle system.

**STEP 6:** Test.

**STEP 7:** Check all is secured.

**STEP 8:** Attach bungs.

**STEP 9:** Stress relief cables.

**STEP 10:** Enjoy your FreeStyle!



## Rugged Interactive

Unit 1, Callywith Court  
Callywith Industrial Estate, Bodmin  
Cornwall, UK  
PL31 2RQ

+44 (0) 1726 981 123  
www.rugged-interactive.co.uk  
hello@rugged-interactive.co.uk

## 3.4 – Detailed Installation

---

Read this manual **before** installing the FreeStyle.

### Installation Guidelines:

- Complete a **Site Survey** form prior to delivery and/or installation.
- Send a completed **Installation Checklist** after any installation back to Rugged Interactive.
- A typical installation should take 2 people about 2 hrs.
- The wall surface must be flat over the area of the wall: 1220 mm wide x 1260 mm tall per FreeStyle.
- A suitable electricity supply should be available within 1000 mm (110 - 230V 13A).
- Avoid trapped and/or pinched cables.
- Use good practice when running data cables to and from products, external pods and sensors. Support long cables at least every 50 cm and provide adequate strain relief for connection points.
- To prevent electric shock, keep all electric components away from contact with water.
- **IMPORTANT:** Take anti-static precautions.

### Structure:

- The units must be mounted to a construction capable of supporting its weight and gameplay.
- Typical suitable construction would be block built, portal frame with structural infills or brick built.
- Alternatively, mount onto 18 mm plywood (12 mm minimum) mechanically mounted to a steel framework (50 mm box minimum). The steel uprights behind the plywood must be at least 100 mm from the vertical centre line of each unit to avoid the clashing with the centre fixing holes. The plywood should be covered with foam-backed vinyl.
- Please be aware the FreeStyles feature white LED back lights.
- Units should be secured on top of the foam-backed vinyl. Adequate holes will need to be cut during installation to provide clearance for cable access to rear if required.
- Do not fix to plasterboard faced partition. Avoid stud walls or unsupported portal infills.
- It is firmly recommended that the units are installed onto a wall that projects forward at least 0.3 m over the edge of the trampoline. This ensures that users land in the middle of the trampoline bed.

### Fixings:

- The manufacturer will supply fixings.
- Use hex-headed screws of 50-70 mm length (2") x M8 for a plywood structure.
- Use Rawl Plugs (plastic wall plugs) if mounted to a solid block or brick wall.

- 10 x 35 ‘penny’ washers to spread the load at each bolt head are recommended.
- All fixings must be tight and secure.

**Installation Heights:**

- The FreeStyle Duo units can be installed either at the same height as each other or offset at different heights to accommodate both taller and shorter users.
- Take into consideration individual trampoline park primary user groups and the relative bounciness of trampolines when determining the installation height.
- Recommended installation heights, measured from trampoline bed to bottom edge of unit:
  - A) Offset installations – lower unit: 1.20 m to 1.50 m; higher unit: 1.60 m to 2.0 m
  - B) Level installations – 1.60 m to 2.0 m

<b>Age of Player</b>	<b>Recommended Height</b> <i>(from trampoline bed to bottom edge of the FreeStyle wall)</i>
6 - 7 Years	120cm
8 - 9 Years	125 – 130cm
10 - 12 Years	130 – 140cm
12 - 14 Years	135 – 145cm
13 + Years	140 – 160cm

**Recommended Trampoline Bed Size:**

- Single trampoline: Frame approx. 2.4 m x 2.4 m (bed approx. 1.9 m x 1.9 m)
- Only one FreeStyle unit should be installed per trampoline.

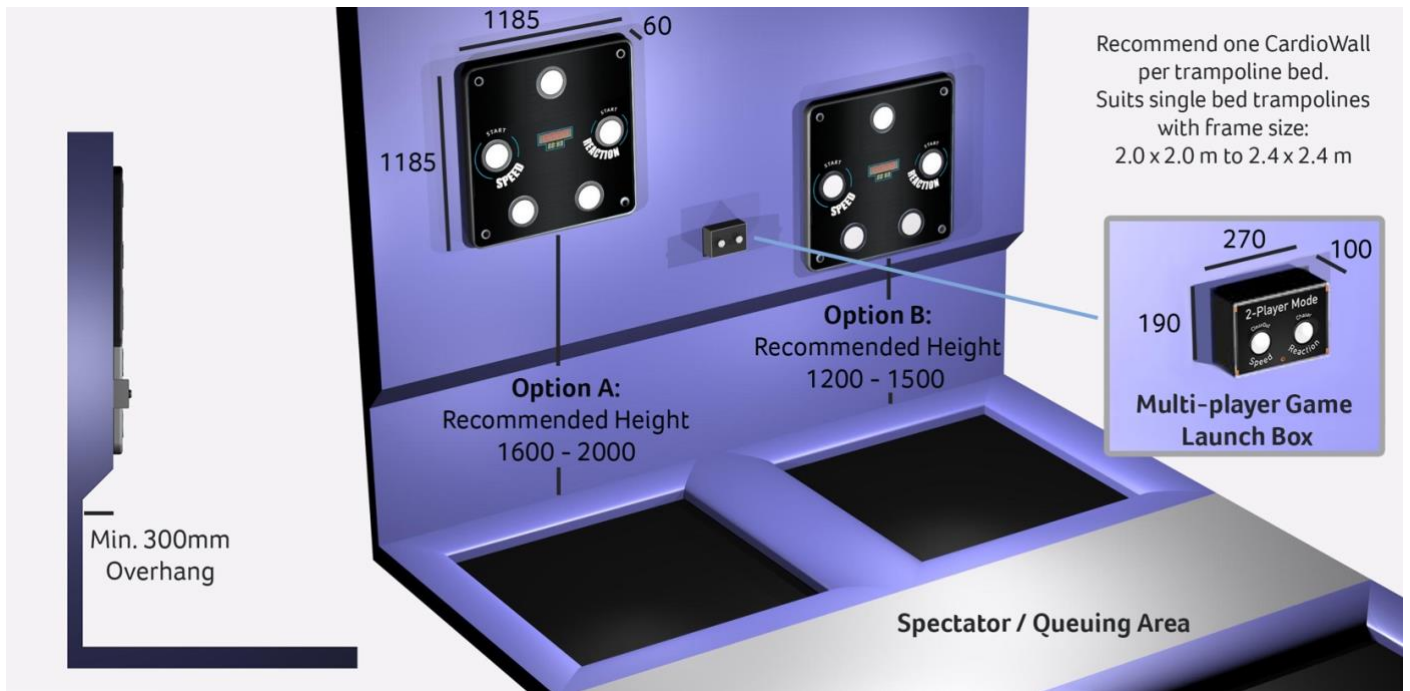
**Operating Environment:**

- Keep out of direct sunlight; bright sunlight can affect the LED pod sensors.
- Keep indoors and dry.
- Optimum ambient temperature: 5°C to 30°C. Avoid extreme fluctuations of temperature.

**Other Recommendations:**

- Instruction / training carried out by an appropriate instructor to all new users.
- A waiting / spectating area positioned nearby is advised.
- A leaderboard to go with each unit is highly recommended.

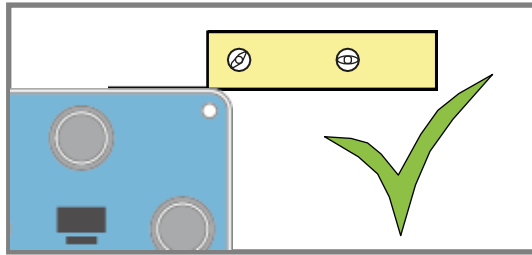
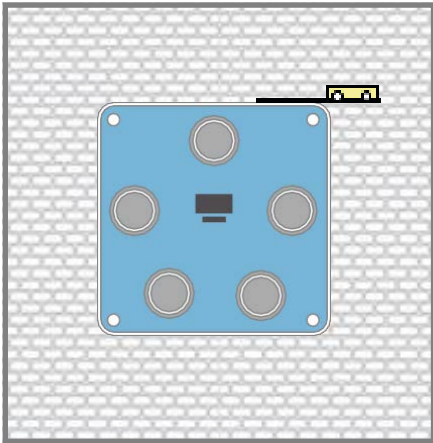
**IF YOU ARE IN ANY DOUBT, CALL RUGGED INTERACTIVE DIRECTLY ON +44 (0) 1726 833 882.**



**Figure 3.4.1:** Suggested installation options of a FreeStyle Duo

## CardioWall FreeStyle Installation

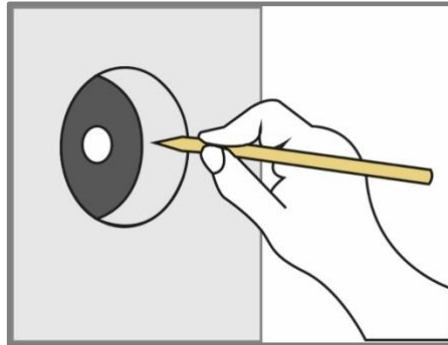
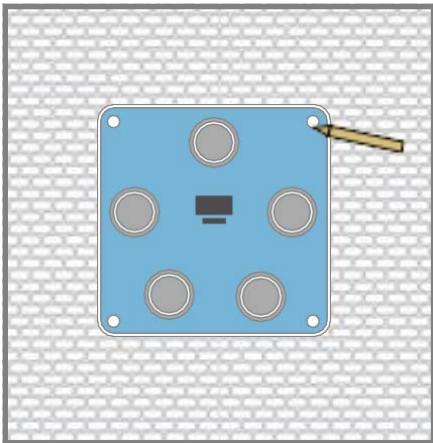
01



**2 people required:** one to hold the main body in place; one to ensure it is level.

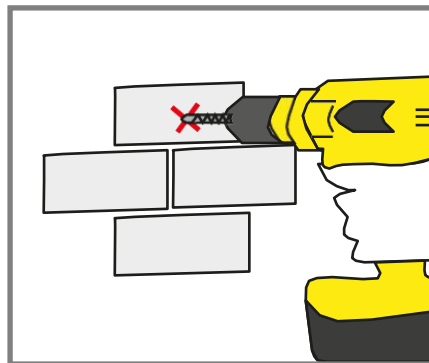
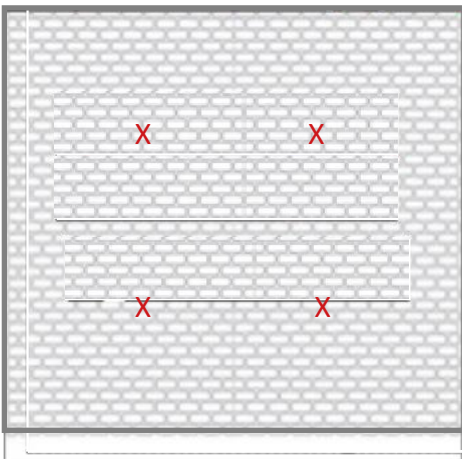
See Installation Heights (Section 1)

02



**2 people required:** one to hold the main body in place; one to clearly mark holes x 4

03



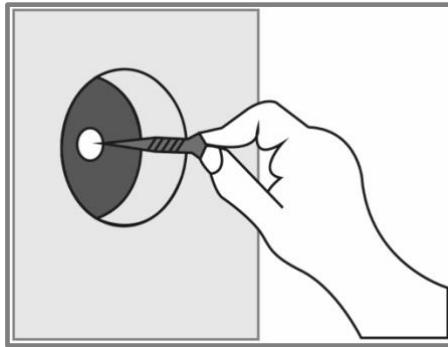
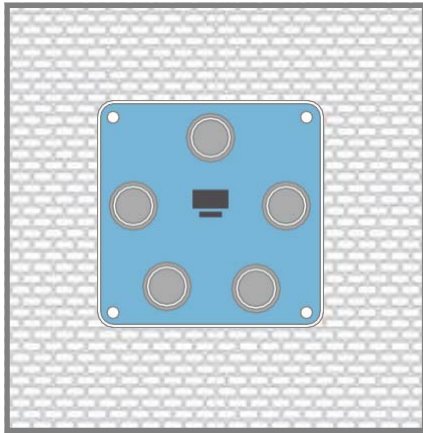
Drill holes and insert mountings x 4.



## CardioWall FreeStyle Installation (cont.)

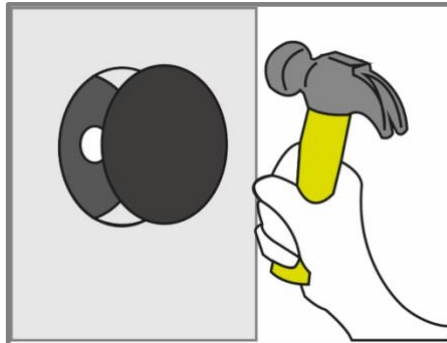
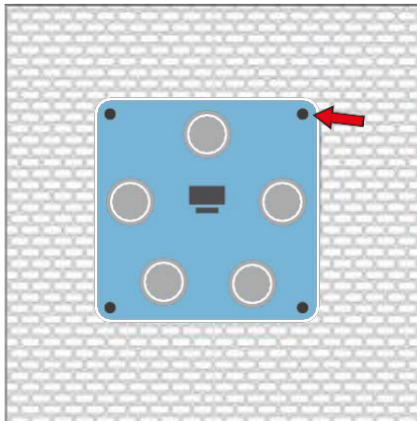
---

04



Position appropriate fixings by hand in all corners and tighten with a tool x 4, checking it is level.

05

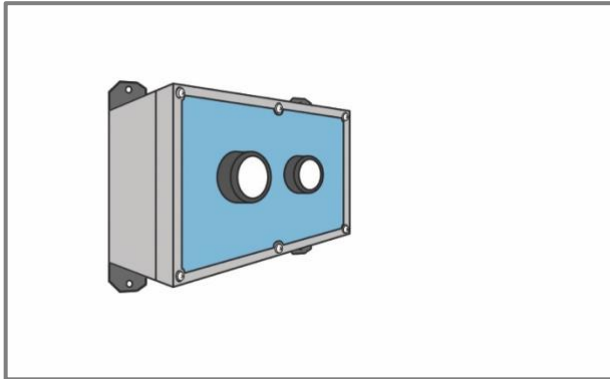


Position fixing covers and push in to place with a hammer x 4.

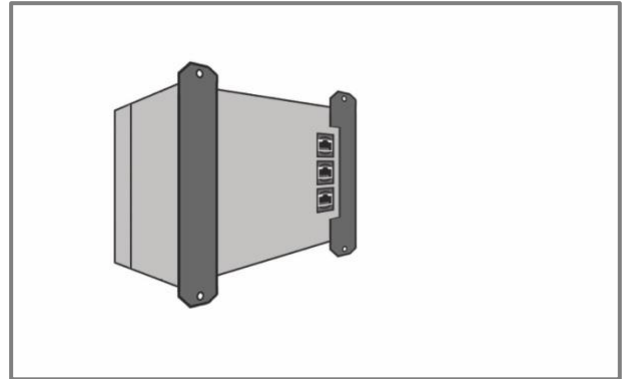
## Multiplayer Launch Box (MPL) Installation

- Fix MPL using any suitable self-tapping or wood screws into the surface material. The MPL can be recessed to be flush with the surface or affixed on top of the foam-backed vinyl if necessary.
- A central position is recommended for easy start for both units.

01

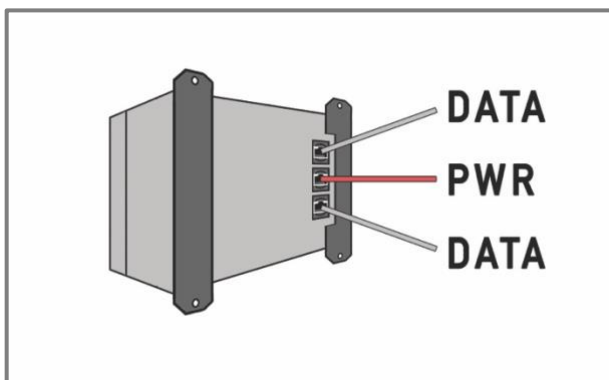


MPL front.



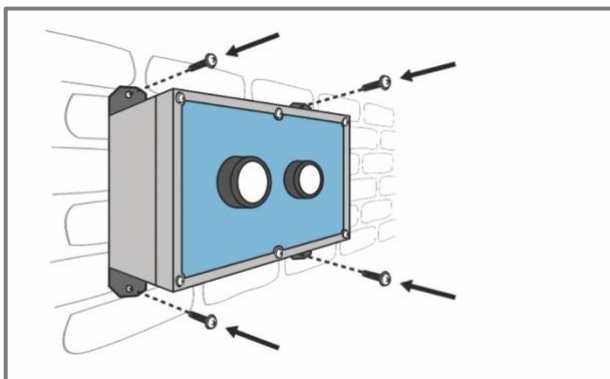
MPL back.

02



Plug in the appropriate CAT5 connections.

03

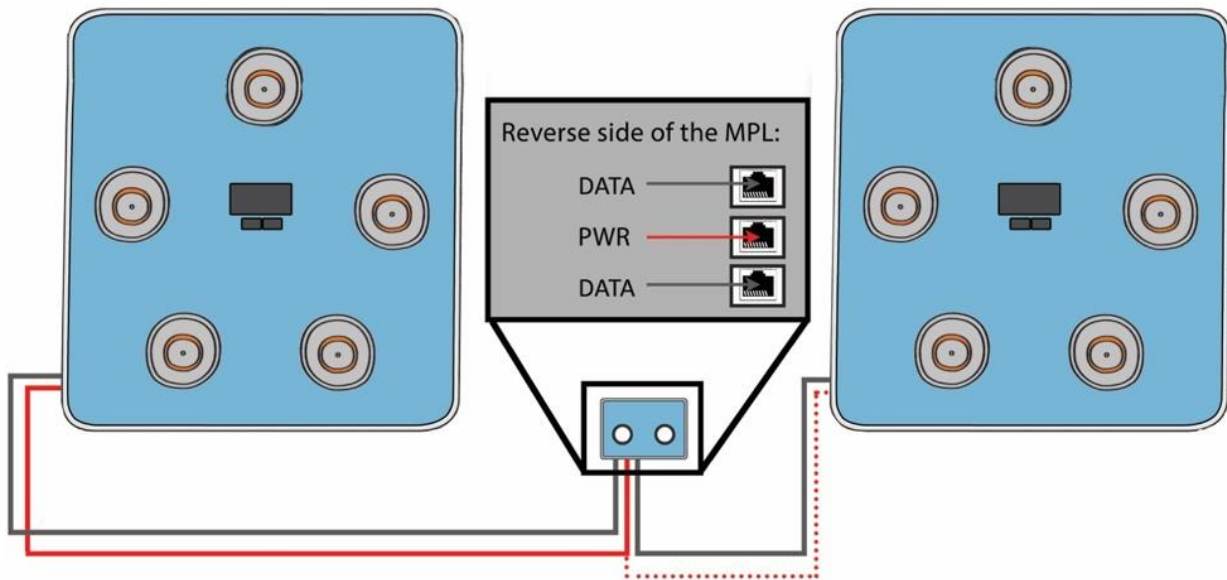


Use appropriate fixings to mount the MPL to the wall. Make sure everything is tight and secure and that no cables are trapped.

## CAT5 Cable Connections

### Notes:

- The units can be arranged in any position.
- The MPL power cable (PWR) can be connected to **either** unit.
- Cables come out the back of each unit.



**Figure 3.4.2:** Cable Connections for FreeStyle Duo

## LED Backlights

---

CardioWall FreeStyles manufactured since April 2020 will feature white LED backlights as standard. Designed to illuminate the backdrop and add an extra “wow” factor to the walls.



**Figure 3.4.3:** Backlit FreeStyles

The new moulding features a recess for the LEDs to run around the edge of the walls along with 15mm stand-off pads at the mounting points to assist in spreading the light.

If the wall is to be recessed into the foam or the backlights are not required, they can be disconnected. The pods and the graphic panel will need to be removed, the LEDs are powered by the same PSU via a splitter cable just below the Hub.



**Figure 3.4.4:** Splitter cable

The splitter cable can be seen in the above image, if the LEDs are not required, the heat shrink marked with the red circle can be cut and the power disconnected.





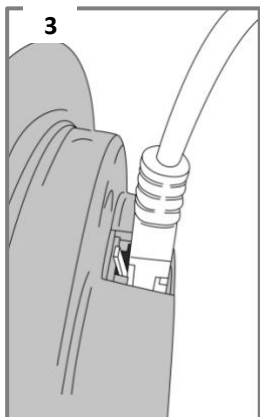
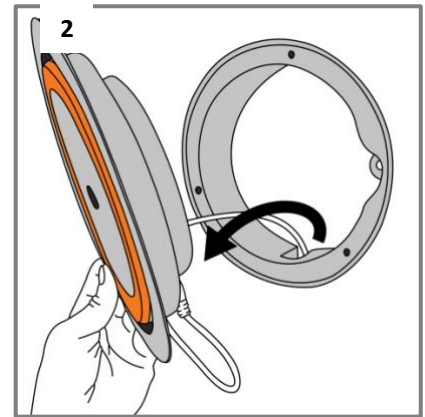
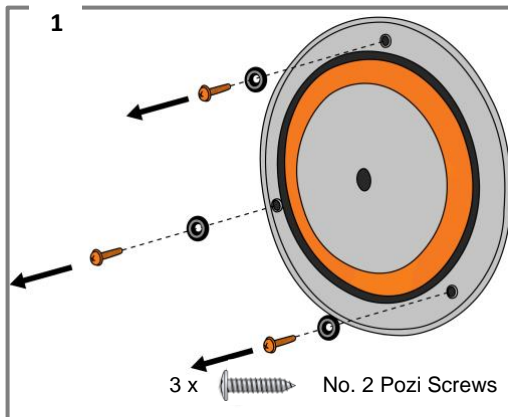
# CardioWall – Pod Removal and Installation

## Removing the Pods

Read this manual before removing or installing any pods.

Do not worry which order the pods come off in. They can be refitted in any order.

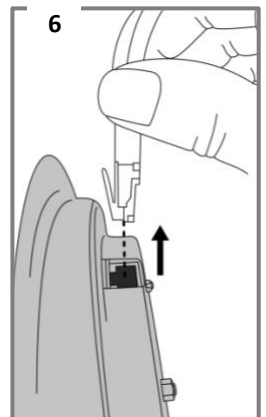
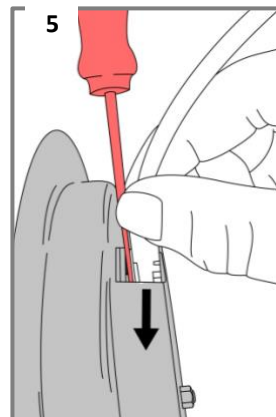
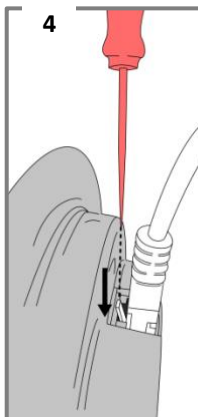
**Retain all screws & washers.**



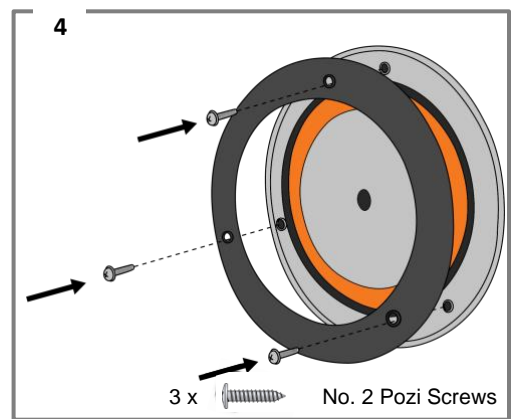
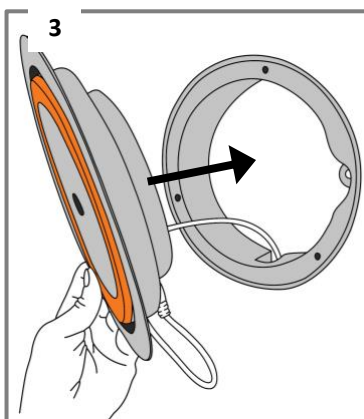
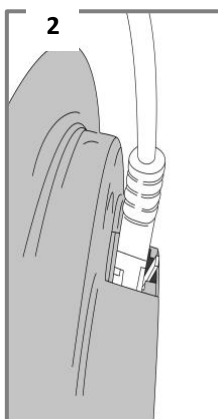
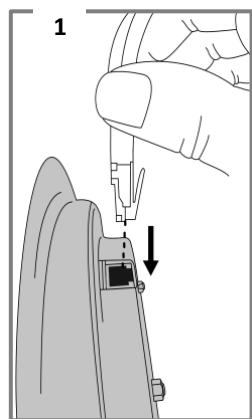
**NOTE:**

To remove the CAT5 cables, you may require a flat blade screwdriver to release the clip.

Remove the CAT5 cables **CAREFULLY**.



## Installing the Pods



Ensure the clip is firmly connected. A click should be heard when inserted correctly.

The securing ring **MUST** be fitted to the new pods.



## Rugged Interactive

Unit 1, Callywith Court  
Callywith Industrial Estate, Bodmin  
Cornwall, UK  
PL31 2RQ

+44 (0) 1726 981 123  
www.rugged-interactive.co.uk  
hello@rugged-interactive.co.uk

## Section 4 - How to Use

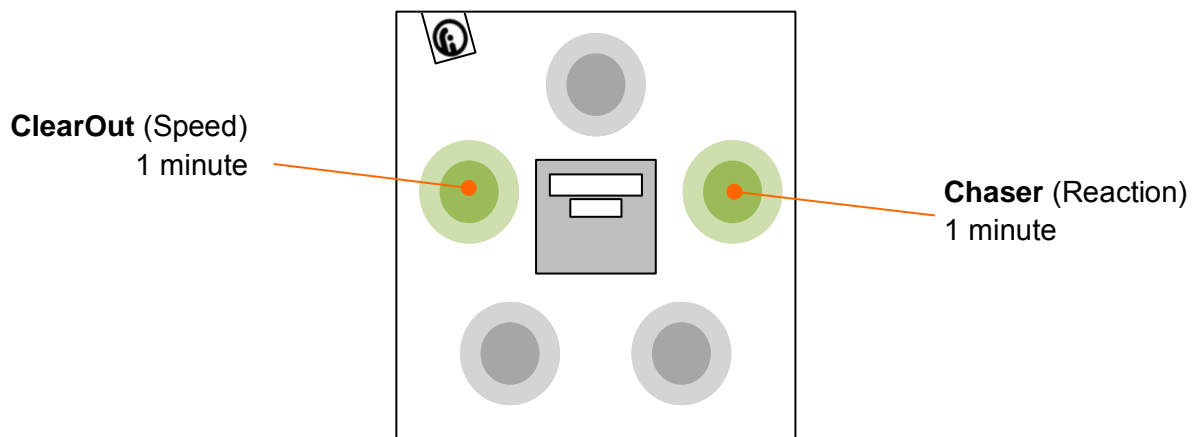
---

On power up, the CardioWall FreeStyle will sound a 'laugh' and will turn to its idle state. Initially the dot matrix will display the **Hub Software Version Number** for the FreeStyle.

The CardioWall FreeStyle has **two programs**:

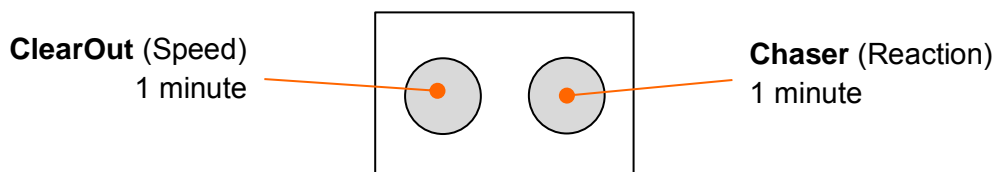
1. **ClearOut** (Speed) – 1 minute
2. **Chaser** (Reaction) – 1 minute

The **green pods** shown in **Figure 4.1** are QuickStart options for the single-player programs.



**Figure 4.1:** CardioWall FreeStyle QuickStarts

The multiplayer games require two CardioWall FreeStyles to be connected to a Multi-player Launch (MPL) Console. **Figure 4.2** shows the QuickStart options for the multi-player programs.



**Figure 4.2:** Multi-player Launch (MPL) Console QuickStarts



## Rugged Interactive

Unit 1, Callywith Gate  
Callywith Industrial Estate, Bodmin  
Cornwall, UK  
PL31 2RQ

+44 (0) 1726 981 123  
[www.rugged-interactive.co.uk](http://www.rugged-interactive.co.uk)  
[hello@rugged-interactive.co.uk](mailto:hello@rugged-interactive.co.uk)

# Section 5 - Programs Guide

---

## 5.1 ClearOut – Speed

**Summary:** For repetitive exercise, stamina building and core stability.

**Gameplay:** All pods will appear **green**. On selection of each illuminated pod, the light will turn out. Once all lit pods are cleared, all pods will reappear **blue**. Once all of the **blue pods** are cleared, all pods will reappear **red**. Once all of the **red pods** are cleared, all pods will reappear **green**, etc.

**Aim:** To clear as many illuminated pods as possible within the given time limit.

**Scoring system:** +1 point for each pod hit

**Duration:** 1 minute

**NOTE:** At any time, if the CardioWall behaves unexpectedly during gameplay, wait for at least 20 seconds for the unit to reset to its idle state.



## 5.2 Chaser – Reaction

- Summary:** A pure speed and reaction challenge which also tests peripheral vision.
- Gameplay:** A single **red pod** will illuminate at random. On selection of the **red pod** (the chaser), another pod will reappear **red**.
- Aim:** To hit as many **red pods** within the given time limit as possible.
- Scoring system:** +1 point for each **red pod** hit
- Duration:** 1 minute

**NOTE:** At any time, if the CardioWall behaves unexpectedly during gameplay, wait for at least 20 seconds for the unit to reset to its idle state.



## Rugged Interactive

Unit 1, Callywith Court  
Callywith Industrial Estate,  
Bodmin, Cornwall, UK  
PL31 2RQ

+44 (0) 1726 981 123  
[www.rugged-interactive.co.uk](http://www.rugged-interactive.co.uk)  
[hello@rugged-interactive.co.uk](mailto:hello@rugged-interactive.co.uk)

# FreeStyle System Specifications

---

## Dimensions and Weights:

	Approx. Shipment Details		Fully Assembled Details	
	Size (mm)	Weight	Size (mm)	Weight
<b>CardioWall FreeStyle Duo</b> ( <i>pair</i> )			1185 x 60 x 1185 ( <i>per CardioWall</i> )	20 kg
<b>CardioWall FreeStyle</b> ( <i>single unit</i> )			1185 x 60 x 1185	20 kg
<b>MPL</b> ( <i>single unit</i> )			270 x 100 x 190	1 kg

## Power Supply:

AC: 110-230V, 50-60Hz, 13A

## Warranty:

1 year on electronics. 3 years on all other parts.

## Regulatory Requirements:

CE Approved.

## Operating Environment:

Indoors: keep dry and out of direct sunlight.

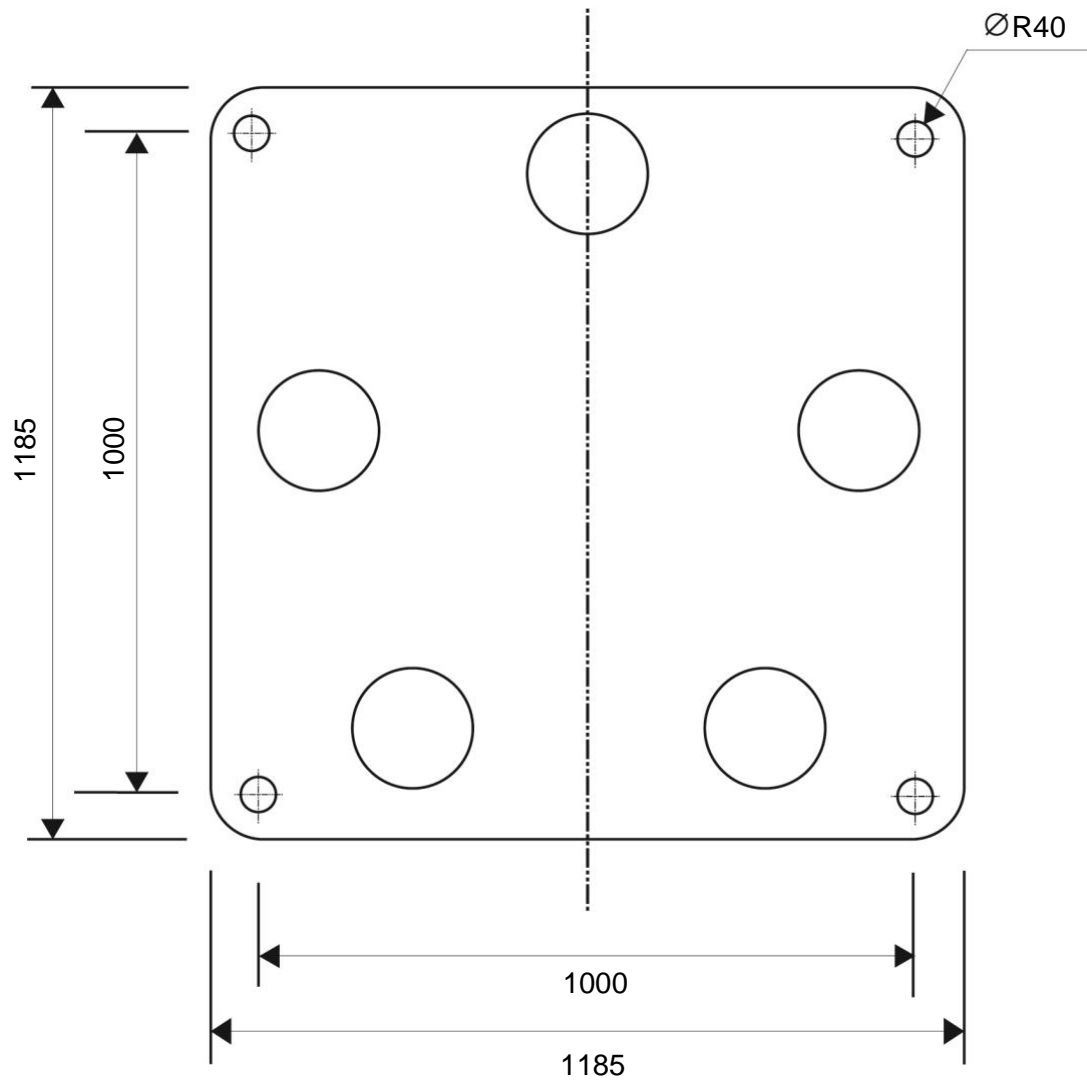
Mount to a wall of a suitable construction.

Area required clear in front of the CardioWall: depth of 1 m minimum.

Optimum ambient temperature: 5°C to 30°C. Avoid extreme temperature fluctuation.

## Other:

All parts designed for easy maintenance. Replacement LED pods can be swapped out by staff in seconds.



**Figure 1:** CardioWall FreeStyle mounting points  
(Dimensions in mm)



## ■ Features

- Universal AC input / Full range
- 2 pole AC inlet IEC320-C8
- Medical safety approved (2 x MOPP between primary to secondary)
- Suitable for BF application with appropriate system consideration
- Low leakage current <50uA
- No load power consumption<0.1W
- Energy efficiency level VI(Except 5~9V for Level V)
- Comply with EISA 2007/DoE,NRCAN, AU/NZ MEPS, EU ErP and meet CoC Version 5
- Built-in active PFC function
- High efficiency up to 91.5%
- Fanless design with -30~+60°C working temperature
- Class II power (without earth pin)
- Protections: Short circuit / Overload / Over voltage / Over temperature
- Fully enclosed plastic case
- LED indicator for power on
- 100% full load burn-in test

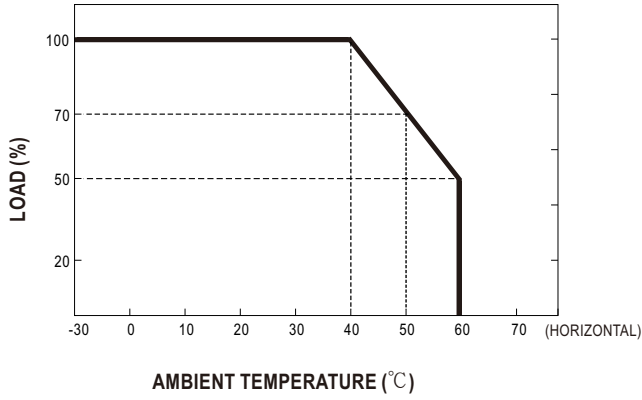


## SPECIFICATION

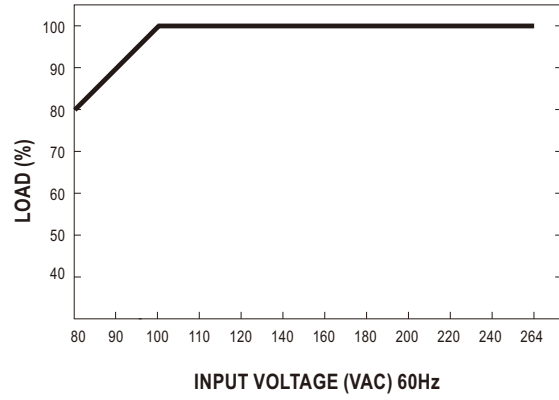
PRODUCT		GSM60B12-P1J	
OUTPUT	SAFETY MODEL NO.	GSM60B12	
	DC VOLTAGE	Note.2	12V
	RATED CURRENT	5A	
	CURRENT RANGE	0 ~ 5A	
	RATED POWER (max.)	60W	
	RIPPLE & NOISE (max.)	Note.3	100mVp-p
	VOLTAGE TOLERANCE	Note.4	± 3.0%
	LINE REGULATION	Note.5	± 1.0%
	LOAD REGULATION	± 3.0%	
	SETUP, RISE TIME	Note.6	1000ms, 30ms / 230VAC
HOLD UP TIME (Typ.)	50ms / 230VAC      15ms / 115VAC at full load		
INPUT	VOLTAGE RANGE	Note.7	80 ~ 264VAC    120 ~ 370VDC
	FREQUENCY RANGE	47 ~ 63Hz	
	EFFICIENCY (Typ.)	88%	
	AC CURRENT (Typ.)	1.4A / 115VAC	1A / 230VAC
	INRUSH CURRENT (Typ.)	30A / 115VAC	65A / 230VAC
	LEAKAGE CURRENT(max.)	Touch current < 50µA/264VAC	
PROTECTION	OVERLOAD	105 ~ 160% rated output power Protection type : Hiccup mode, recovers automatically after fault condition is removed	
	OVER VOLTAGE	12.6 ~ 16.2V Protection type : Shut down o/p voltage, re-power on to recover	
	OVER TEMPERATURE	Shut down o/p voltage, re-power on to recover	
ENVIRONMENT	WORKING TEMP.	-30 ~ +60°C (Refer to "Derating Curve")	
	WORKING HUMIDITY	20% ~ 90% RH non-condensing	
	STORAGE TEMP., HUMIDITY	-40 ~ +85°C, 10 ~ 95% RH	
	TEMP. COEFFICIENT	± 0.03% / °C (0 ~ 40°C)	
	VIBRATION	10 ~ 500Hz, 2G 10min./1cycle, period for 60min. each along X, Y, Z axes	
SAFETY & EMC (Note. 8)	SAFETY STANDARDS	ANSI/AAMI ES60601-1 / ES60601-1-11, TUV EN60601-1 / 60601-1-11 approved	
	ISOLATION LEVEL	Primary-Secondary: 2xMOPP	
	WITHSTAND VOLTAGE	I/P-O/P:4KVAC	
	ISOLATION RESISTANCE	I/P-O/P:100M Ohms / 500VDC / 25°C / 70% RH	
	EMC EMISSION	Compliance to EN55011(CISPR11) class B, EN61000-3-2,3, FCC PART 15 class B,CAN ICES-3(B)/NMB-3(B)	
	EMC IMMUNITY	Compliance to EN61000-4-2,3,4,5,6,8,11, EN55024, EN60601-1-2, EN61204-3 medical level, criteria A	
OTHERS	MTBF	720K hrs min. MIL-HDBK-217F(25°C)	
	DIMENSION	125*50*31.5mm (L*W*H)	
	PACKING	0.32Kg; 40pcs/13.8Kg/1.05CUFT	
CONNECTOR	PLUG	See page 3 ; Other type available by customer requested	
	CABLE	See page 3 ; Other type available by customer requested	
NOTE	<ol style="list-style-type: none"> <li>All parameters are specified at 230VAC input, rated load, 25°C 70% RH ambient.</li> <li>DC voltage: The output voltage set at point measure by plug terminal &amp; 50% load.</li> <li>Ripple &amp; noise are measured at 20MHz by using a 12" twisted pair terminated with a 0.1uf &amp; 47uf capacitor.</li> <li>Tolerance: includes set up tolerance, line regulation, load regulation.</li> <li>Line regulation is measured from low line to high line at rated load.</li> <li>Length of set up time is measured at first cold start. Turning ON/OFF the power supply may lead to increase of the set up time.</li> <li>Derating may be needed under low input voltages. Please check the derating curve for more details.</li> <li>The power supply is considered as an independent unit, but the final equipment still need to re-confirm that the whole system complies with the EMC directives. For guidance on how to perform these EMC tests, please refer to "EMI testing of component power supplies." (as available on <a href="http://www.meanwell.com">http://www.meanwell.com</a>)</li> </ol>		



## Derating Curve

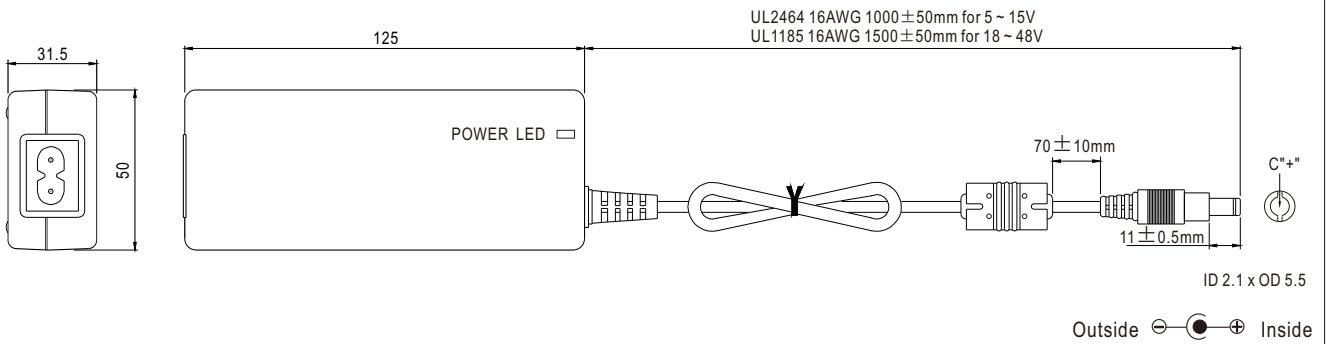


## Static Characteristics



## Mechanical Specification

Case No. GSM60B Unit:mm



## Plug Assignment

Standard plug: P1J

P1J	
P/N	OUTPUT
CENTER	+



## Rugged Interactive

Unit 1, Callywith Court  
Callywith Industrial Estate,  
Bodmin, Cornwall, UK  
PL31 2RQ

+44 (0) 1726 981 123  
[www.rugged-interactive.co.uk](http://www.rugged-interactive.co.uk)  
[hello@rugged-interactive.co.uk](mailto:hello@rugged-interactive.co.uk)

# FreeStyle Installation Checklist

---

Please complete this checklist after any installation:

### Check 1: Pre-power up checks.

- Mounted onto a wall of a construction capable of supporting its gameplay.
- All fixings are tight and secure.
- No signs of damage, component failure and/or missing parts.
- No trapped and/or pinched cables.
- No loose cables that could become a tripping hazard.
- All long cables are supported at least every 50 cm.
- Adequate strain relief provided for connection points.
- Kept out of direct sunlight during the day.
- All electric components away from contact with water.
- Protective plastic sheets removed from front graphic panels and each pod.

### Check 2: Plug into a mains socket and power up.

- All pods light up.
- Text appears on the hub display and is as expected. *E.g. CardioWall FreeStyle.*
- Sound volume is at a suitable level\*.

### Check 3: Select ClearOut (Speed) via Quick Start.

- Program counts down from 3 and begins.
- All pods active and operational.
- Check all pods for colours: red, green, blue.
- Sounds can be heard when the lights are hit.
- Program plays as described in the Programs Guide.

**Check 4: Select ClearOut (Speed) via the MPL (*FreeStyle Duo only*).**

- Program counts down from 3 and begins on both units simultaneously.
- All pods active and operational.
- Check all pods for colours: red, green, blue.
- Sounds can be heard when the lights are hit.
- Program plays as described in the Programs Guide on both units.

**Check 5: Ready for use.**

- Play area is clear.
- Instruction / training carried out by an appropriate instructor to all new users.

**If anything unexpected occurs or problems persist after troubleshooting, call Rugged Interactive directly on +44 (0) 1726 833 882.**

\* If no external volume control is provided (usual for most CardioWalls), the volume can be adjusted on the main hub. The volume control (a small blue control) can be seen through the score window on the bottom left of the PCB. The volume can be adjusted by projecting a tiny flat-bladed screwdriver through the provided hole on the front of the graphics panel. Rotate clockwise for volume up, counter-clockwise for volume down.





## Rugged Interactive

Unit 1, Callywith Gate  
Callywith Industrial Estate, Bodmin  
Cornwall, UK  
PL31 2RQ

+44 (0) 1726 981 123  
[www.rugged-interactive.co.uk](http://www.rugged-interactive.co.uk)  
[hello@rugged-interactive.co.uk](mailto:hello@rugged-interactive.co.uk)

## Next Steps

---

### Train team members

Train your team members on how to use High-9, having knowledge of the gameplay will help them encourage users. Inspire them to cheer and celebrate with the customers when they achieve high scores.

### Maintenance

General care and maintenance procedures for your Rugged Interactive product.

1. Inspect the product daily for any signs of damage or loose components. Repair or tighten as applicable.
2. Turn on the product, check the LEDs and sound is working as expected.
3. Start a game, check all pods/sensors work and react as expected. Please refer to the manual for instructions on gameplay.
4. If a pod has seven (7) or fewer working LEDs, we recommend replacing the pod.
5. We suggest non-solvent glass cleaning spray, avoid spraying directly onto the pods. Use a non-abrasive microfibre cloth and extremely light pressure when wiping the product. Too much pressure will scratch the graphics panel.
6. Only use accessories recommended by the manufacturer with the products. Accessories not recommended could cause serious damage.
7. Every three months check the fixings are tight.
8. Once a year, check the structure supporting the product is still solid.
9. We recommend turning the products off when they are not in use (close of business), this will help to extend the life of the product.

### Marketing

With this being such an eye-catching product, it is excellent for use in posts on social media, either featuring in photos or videos.

If you would like any help, guidance or examples of using this product in your marketing campaign, please contact Rugged Interactive and we will be able to assist with this.



## Rugged Interactive

Unit 1, Callywith Gate  
Callywith Industrial Estate, Bodmin  
Cornwall, UK  
PL31 2RQ

+44 (0) 1726 981 123  
[www.rugged-interactive.co.uk](http://www.rugged-interactive.co.uk)  
[hello@rugged-interactive.co.uk](mailto:hello@rugged-interactive.co.uk)

# Congratulations!

---

**Congratulations on your new Rugged Interactive product! Your customers are going to love this, and it is a great addition to your venue!**

If there is anything we can assist with or if you would be interested in information about any other Rugged Interactive products, then please do not hesitate to get in contact.