



rugged. interactive

TrailBlazer® GripKit

Order and Installation Manual
For models from February 2021 onwards



Rugged Interactive

Unit 1, Callywith Court
Callywith Industrial Estate, Bodmin
Cornwall, UK
PL231 2RQ

+44 (0) 1726 981 123
www.rugged-interactive.co.uk
hello@rugged-interactive.co.uk

Updated: 15/08/2023



Rugged Interactive

Unit 1, Callywith Court
Callywith Industrial Estate, Bodmin
Cornwall, UK
PL31 2RQ

+44 (0) 1726 981 123

www.rugged-interactive.co.uk

hello@rugged-interactive.co.uk

Contents

Section 1 – Ordering Process

- 1.1 Need to Know
- 1.2 Order and Installation Checklist
- 1.3 Product Overview
- 1.4 Ordering and Installation Timeline
- 1.5 Getting Started
- 1.6 Place Order

Section 2 – Safety Guidelines

- 2.1 Installation Safety Guidelines
- 2.2 In Play Safety Guidelines

Section 3 – Installation

- 3.1 Parts List
- 3.2 Tools and Components List
- 3.3 Installation Overview
- 3.4 Detailed Installation

Section 4 – How to Use

Section 5 – Programs Guide

TrailBlazer GripKit System Specifications

TrailBlazer GripKit Installation Checklist

Next Steps



Rugged Interactive

Unit 1, Callywith Court
Callywith Industrial Estate, Bodmin
Cornwall, UK
PL31 2RQ

+44 (0) 1726 981 123
www.rugged-interactive.co.uk
hello@rugged-interactive.co.uk

Section 1 – Ordering Process

1.1 - Need to Know

Installation manual purpose and limitations

This manual is intended to provide guidance only, the installation of the Rugged Interactive product will be under your control. You will be responsible for making sure, upon completion of the installation, it is safe to use. As always, we are here to support you, please get in touch if you are in any doubt.

Regulations

Some countries and states have regulations which may be applicable to the Rugged Interactive products, it is your responsibility to check that the product complies with such regulations. This should be conducted during the planning phase for the installation location.



Rugged Interactive

Unit 1, Callywith Gate
Callywith Industrial Estate, Bodmin
Cornwall, UK
PL31 2RQ

+44 (0) 1726 981 123
www.rugged-interactive.co.uk
hello@rugged-interactive.co.uk

1.2 - Order and Installation Checklist

- Contact the Rugged Interactive sales team or a partner / distributor to begin the process.
- Confirm the invoice and delivery address along with date required (lead time is at least 5 weeks), VAT number required for export customers.
- Complete site survey.
- Send purchase order or confirm order.
- Make first payment.
- Discuss graphic requirements and provide logos and branding guidelines.
- Approve graphics.
- Make second payment (required a week before dispatch).
- Schedule time and team members for installation.
- Before install, confirm all tools and components are prepared.
- Organise shipment (Customer collection or delivery organised by Rugged Interactive).
- Receive your order.
- Install the product.
- Test and complete installation checklist.
- Train the team on how to use the product.
- Sounds can be heard when the buttons are hit.
- Reveal your new Rugged Interactive product to your guests and customers!



Rugged Interactive

Unit 1, Callywith Gate
Callywith Industrial Estate, Bodmin
Cornwall, UK
PL31 2RQ

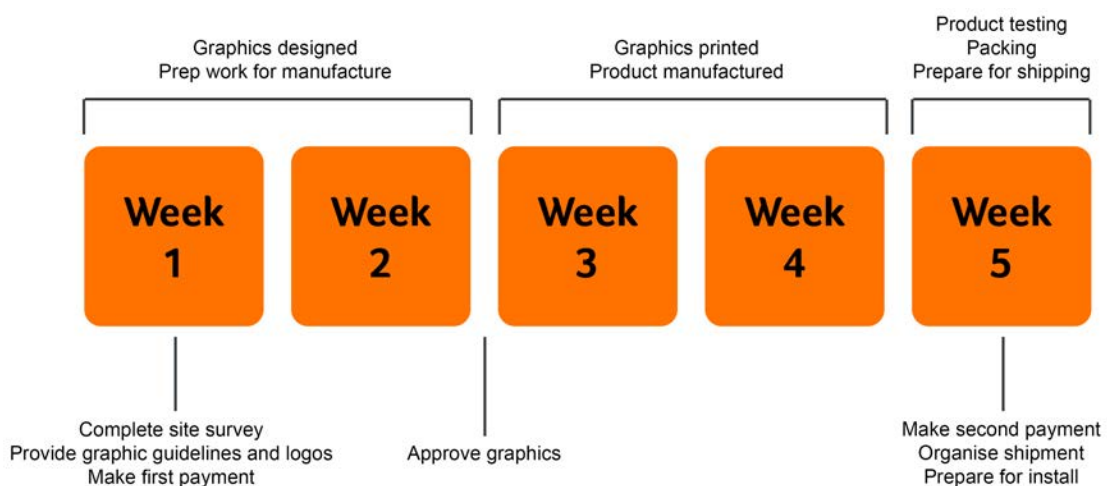
+44 (0) 1726 981 123
www.rugged-interactive.co.uk
hello@rugged-interactive.co.uk

1.3 – TrailBlazer® GripKit Overview

A solution-in-a-box to bring excitement, motivation and improved accessibility to your indoor climbing area. The TrailBlazer GripKit can be used on new climbing walls and to retrofit existing ones. A combination of interactive and inert easy-to-hold hand grips and foot grips turn a traditional indoor bouldering wall into a high-fun, high-challenge interactive game space. This will dramatically increase the appeal of indoor climbing walls with improved accessibility for young people of all ages and levels of ability.



1.4 - Order and Installation Timeline



* We do our best to ensure orders are ready on a five-week lead time, however during busy periods or for large orders, the lead time may be longer than outlined here. Lead time will also be affected by graphics guidelines, approval and payment delays.



Rugged Interactive

Unit 1, Callywith Court
Callywith Industrial Estate, Bodmin
Cornwall, UK
PL31 2RQ

+44 (0) 1726 981 123

www.rugged-interactive.co.uk
hello@rugged-interactive.co.uk

1.5 - Getting Started

New Parks

During the design process for the new park, incorporate the intended products into the design, product specifications can be found within this manual for the relevant product and CAD files can be supplied upon request.

Existing Parks

When retrofitting existing parks, all specifications can be found within this manual or CAD files are available at request. If further information is required, please get in touch and we will be able to provide further information and guidance.

1.6 - Place Order

To begin the order process with Rugged Interactive:

Email:

Sales@rugged-interactive.co.uk

Or call the Sales Office:

+44 (0) 7585 955 184

HQ/Production Address:

Unit 1 Callywith Court
Callywith Ind. Estate,
Bodmin,
Cornwall
UK
PL31 2RQ

Sales Office Address:

Rugged Interactive,
Future Space,
UWE North Gate,
Filton Road,
Bristol,
UK
BS34 8RB



Rugged Interactive

Unit 1, Callywith Court
Callywith Industrial Estate, Bodmin
Cornwall, UK
PL31 2RQ

+44 (0) 1726 981 123

www.rugged-interactive.co.uk

hello@rugged-interactive.co.uk

Section 2 - Safety Guidelines

2.1 Installation Safety Guidelines

Before installing any Rugged Interactive product, please read the following:

Dos:

- Ensure that a Site Survey form has been completed prior to installation.
- Have ready suitable equipment, tools and/or manpower.
- Observe correct manual handling techniques whilst moving and installing the equipment.
- Visually check the product for any signs of damage, component failure and/or missing parts.
- To prevent electric shock, keep all electric components away from contact with water.
- Ensure to take anti-static precautions.
- Wear appropriate clothing: do not wear loose clothing or jewellery.
- Long hair should be tied back.
- Tidy back loose cables that could become a tripping hazard.
- Ensure that the playing area is clear.
- Immediately inform Rugged Interactive for maintenance advice if you have concerns.

Don'ts:

- Do not wear shoes with leather soles or high heels.
- Do not use any tools that are not specifically recommended by the manufacturer.
- Do not distract others while they are installing the product.

2.2 In Play Safety Guidelines

Please ensure you read the following points before using the equipment:

Dos:

- Before beginning any exercise program, it is recommended that you consult with your doctor.
- Children under the age of 7 years must always be supervised by an adult (over 16 years) when using the equipment and/or recommended accessories.
- Visually check the equipment before using it for any signs of damage, component failure or loose cables that could become a tripping hazard. Report any concerns, e.g. loose holds or damaged equipment, to a member of staff immediately.
- Ensure you familiarise yourself with any additional facility rules that may apply.
- Ensure that the play area in front of the equipment is clear before attempting to participate.
- Only participate if you are in good physical condition. Participate only within your capabilities / recommended exercise level.
- Wear appropriate clothing.
- Remove all items from your pockets prior to participation.
- Long hair should be tied back.
- Before use, loosen up with warm up exercises and stretches.
- Always maintain at least three points of contact with the climbing wall.
- Descend either by down-climbing or a controlled jump. Always jump so you land with both feet at the same time. Uncontrolled jumps or falls are likely to result in injuries to yourself and/or others.
- Look out for other participants and give way to smaller ones.
- Respect the space of other climbers. Only climb when there is a safe distance between you and the next climber.
- Only those participating are allowed in the activity area, unless you are spotting a climber. If waiting to participate, stand back at a safe distance from the equipment.
- Report any unusual or inappropriate behaviour to a member of staff immediately.
- If you get tired, leave the equipment / activity area and take a break.
- If you feel any pain, dizziness, nausea or any other abnormal symptoms, STOP YOUR WORKOUT IMMEDIATELY. Consult your doctor immediately. Incorrect or excessive training may lead to injuries.
- Only those participating are allowed in the activity area. If waiting to participate, stand back at a safe distance from the equipment.
- Make sure you have control before leaving the trampolines, obstacles or activity equipment.

Don'ts:

- No more than four active users on the equipment at any one time.

TrailBlazer® GripKit Order and Installation Manual: *Safety Guidelines*

- Do not attempt to use any of the equipment without undertaking instruction / training carried out by an appropriate instructor.
- Do not participate if you are unwell or have any pre-existing medical conditions including heart, back, neck, bone and/or muscle conditions.
- Do NOT work to exhaustion.
- Do not participate if you are or maybe pregnant.
- Do not wear loose clothing or jewellery (including studs and watches). Clothing should not have any hard or sharp points (such as buckles, studs, toggles or alike).
- Do not wear shoes with leather soles, high heels, sandals, boots or bare feet.
- No food, drink or chewing gum during participation.
- No phones or cameras in the activity area.
- Do not leave clothing or personal belongings around the activity areas.
- Do not participate under the influence of alcohol and/or drugs.
- Do not attempt any move beyond your own skill level.
- Do not climb too high until you are confident enough to do so.
- No feet above the marked line.
- Do not attempt to climb above the holds.
- Do not attempt to climb over other participants.
- Do not climb directly above or below another climber.
- Do not jump or flip over other participants.
- Do not distract others while they are using the equipment.
- Do not attempt to catch anyone who may fall.
- Do not sit, lie, stand or rest on or under the activity equipment and/or surrounding padding/mats.
- Never lean on, jump on, climb, grab, or lift any safety pads or safety nets.
- Do not use any accessories that are not specifically recommended by the manufacturer. These might cause injuries or cause the equipment to fail.

NOTE: This activity can be great fun, but it can also be dangerous. There is a risk of serious injury if care is not taken when using the equipment. Use of this equipment is physically demanding: this is a high-impact, full body activity which requires intense focus, awareness of your body's strengths and limitations, awareness of the environment around you and extreme caution.

Maximum weight restriction per user is 18st/115kg.



Rugged Interactive

Unit 1, Callywith Gate
Callywith Industrial Estate, Bodmin
Cornwall, UK
PL31 2RQ

+44 (0) 1726 981 123

www.rugged-interactive.co.uk

hello@rugged-interactive.co.uk

Section 3 - Installation

3.1 - Parts List

Please check off the received parts for the installation and alert Rugged Interactive immediately if anything is missing.

- 1 x Hub control box.
- 4 x Control box mounting brackets including 12 x M5 x 12mm screws.
- 1 x Power lead.
- 16 x Interactive hand grips.
- 50 x Inert hand grips.
- 24 x Foot grips.
- 2 x Start rings (Chaser x 4, Cascade).
- 5 x 5m network cables (labelled 1-5).
- 11 x 10m network cables (labelled 6-16).
- 4 x 2m extension cables with couplers.
- 600 x 25mm fixings for grips.
- 1 x Spare interactive grip.
- 1 x Spare hand grip.
- 1 x Spare foot grip.
- 1 x Poster.
- Manual.

3.2 - Tools and Components List

Arrange the necessary tools and the team to install the product.

- Ladder.
- Industrial vacuum cleaner.
- Dustpan and brush.
- SDS impact drill.
- Cordless drill – with torque adjuster to avoid over-tightening the screws.
- 120mm Hole saw.
- 30mm Hole saw.
- A set of No.2 Pozi bits.
- A set of screwdrivers.
- A set of Hex keys.
- Spirit level.



Rugged Interactive

Unit 1, Callywith Court
Callywith Industrial Estate, Bodmin
Cornwall, UK
PL31 2RQ

+44 (0) 1726 981 123
www.rugged-interactive.co.uk
hello@rugged-interactive.co.uk

3.3 - Installation Overview

Below is an overview of the steps needed to install TrailBlazer GripKit. More detail for the process is provided in the following pages. Please read through ALL of this prior to beginning the installation and if you are in any doubt, contact Rugged Interactive.

If you have any concerns on how or what the product is installed to, contact a structural engineer prior to beginning the installation.

STEP 1: Prepare the surface the GripKit will be installed to.

STEP 2: Mark grip positions.

STEP 3: Cut out recess for grips.

STEP 4: Secure grips (Note: Interactive grips must be connected to score box).

STEP 5: Mount score box.

STEP 6: Attach cables between score box and interactive grips.

STEP 7: Turn on and test.

STEP 8: Check all is secured.

STEP 9: Stress relief cables.

STEP 10: Enjoy TrailBlazer GripKit!



Rugged Interactive
Unit 1, Callywith Court
Callywith Industrial Estate, Bodmin
Cornwall, UK
PL31 2RQ

+44 (0) 1726 981 123
www.rugged-interactive.co.uk
hello@rugged-interactive.co.uk

3.4 – Detailed Installation

Read this manual before installing the TrailBlazer GripKit.

Installation Guidelines:

- Please complete a **Site Survey** form prior to delivery and/or installation.
- Please send a completed **Installation Checklist** after any installation to Rugged Interactive.
- A typical installation should take 2 people about 1 day, depending on the install.
- No obstructions or protrusions in the installation area: e.g. skirting boards, pipes, cables and wiring conduits.
- A 120mm hole will need to be cut from the plywood for each of the grips to be fitted. A further section to the left of the hole will need to be cut for the interactive grips to accommodate the data cable.
- 150mm of space is required behind each grip.
- Avoid trapped and/or pinched cables.
- Use good practice when running data cables to and from products, external pods and sensors. Support long cables at least every 50 cm and provide adequate strain relief for connection points.
- To prevent electric shock, keep all electric components away from contact with water.
- **IMPORTANT:** Take anti-static precautions.

Recommended Installation Options:

- TrailBlazer GripKit is suitable for installing on both a new climbing wall, and for retrofitting to transform an existing bouldering area. This kit is suitable for use on any structure designed for climbing.
- Ideal in trampoline parks or indoor adventure centres, GripKit works well over soft matting or on climbing walls above foam pits.
- Use GripKit hand and foot grips on their own, or combine with existing 'traditional' hand grips
- For retrofits, an accessible void will be needed to connect each interactive grip with CAT5 cabling to the Display / Score Box (HUB).

Structure:

- The grips must be mounted to a flat/level construction capable of supporting its weight and gameplay.
- Mount onto 18 mm plywood (min. 12 mm) mechanically mounted to a framework.
- Avoid clashing the uprights with fixing holes.
- Do not fix to plasterboard faced partition. Avoid stud walls or unsupported portal infills.

Fixings:

TrailBlazer® GripKit – Section 3 - Installation

© Rugged Interactive 2023

- The manufacturer will supply fixings.
- All fixings must be tight and secure.

Suggested Extras:

- Cleaning cloth and gentle cleaning spray.

Display / Score Box (HUB):

- Please consider the position of the display box when surveying an area in preparation for installation.
- An upper left position is recommended for ease of installation; however, the box can be positioned in a suitable location where required if retrofitting: e.g. mounted on a central pillar or against a nearby wall.
- Fix HUB using any suitable self-tapping or wood screws into the surface material. The HUB can be recessed to be flush with the surface or affixed on top of the foam-backed vinyl if necessary.

Operating Environment:

- Keep indoors and dry.
- Optimum ambient temperature: 5°C to 30°C. Avoid extreme fluctuations of temperature.

Other:

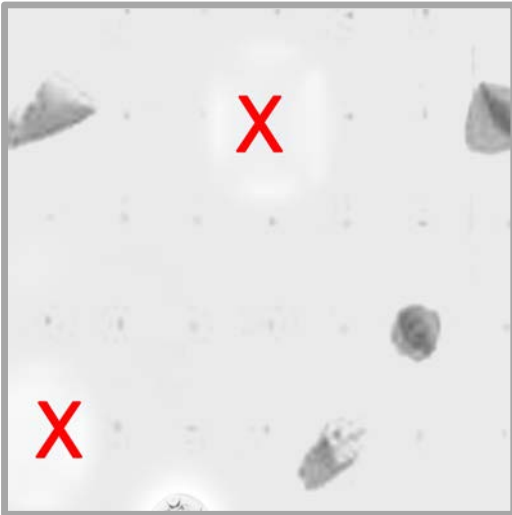
- Layout of the GripKit is at the discretion of the installer / park constructor.
- Instruction / training carried out by an appropriate instructor to all new users.
- Works well if positioned over soft matting or on climbing walls above a foam pit.
- Matting of at least 10 cm thickness and 200 cm deep is highly recommended.
- A waiting / spectating area positioned nearby is advised.
- A leaderboard to go with each unit is highly recommended.

IF YOU ARE IN ANY DOUBT, CALL RUGGED INTERACTIVE DIRECTLY ON +44 (0) 1726 833 882

Installing the grips

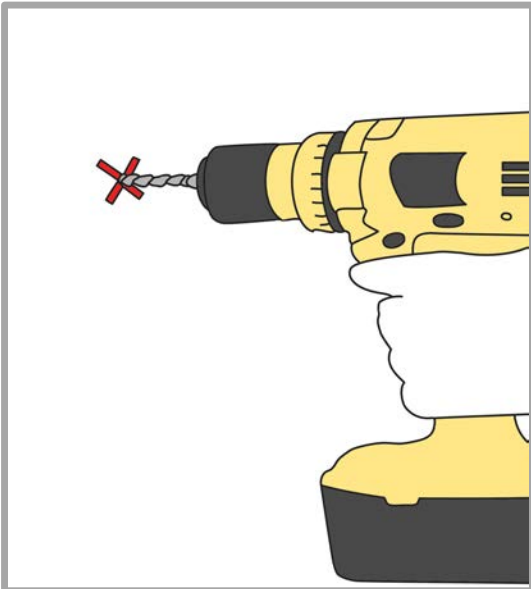
- Each grip will require a cut out to sit flush.
- Interactive grips will require an additional cut out.
- 150mm of space is required behind the grips.
- **Note:** Cables exit is at the rear of the display box.

01



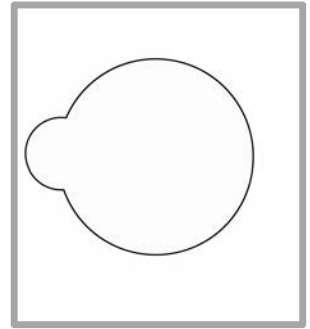
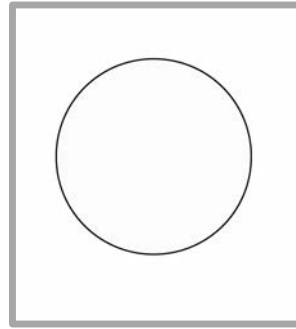
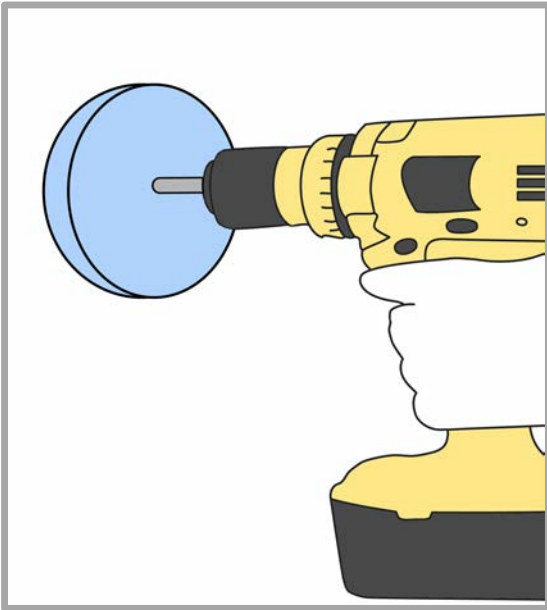
Mark the positions on the wall for all of the grips, note there are 16 interactive hand grips which suit being spread across the wall.

02



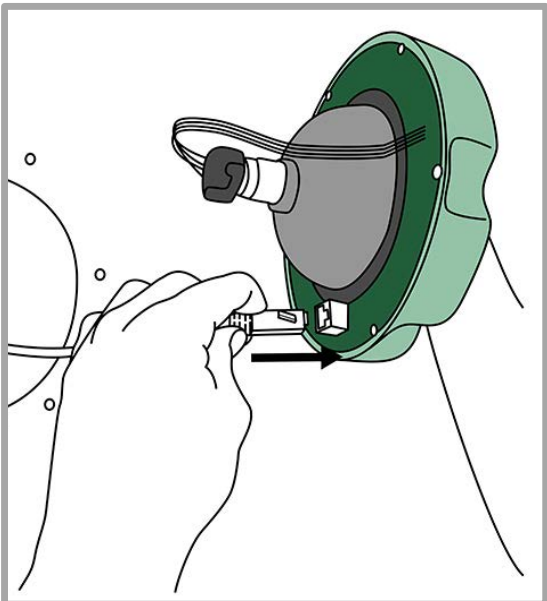
Drill a guide hole at the centre of each position the grip is to be mounted.

03



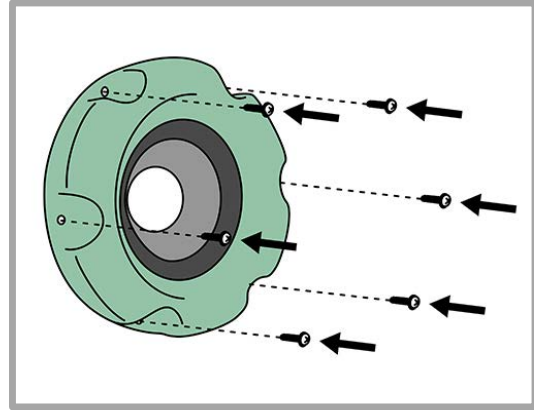
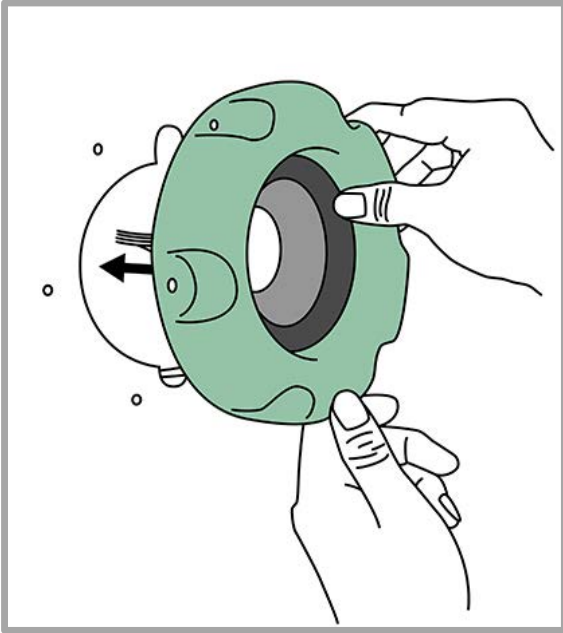
Use a hole saw to cut out the hole for each grip. Please note that an additional part must be cut for each interactive grip and the shape should be as the images above.

04



If there is adequate space behind the surface the grips are being mounted to, attach the cables for the interactive grips prior to fixing these to the wall.

05

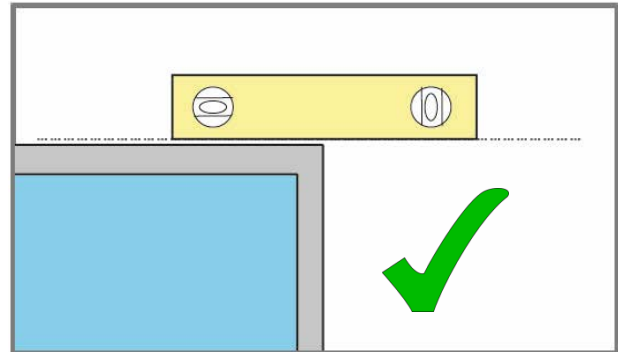
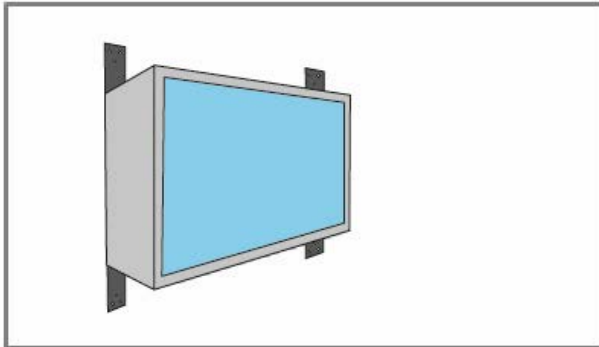


Install each grip. Ensure the grips are secure.
Do not over tighten the screws, this can damage the grip.

TrailBlazer GripKit Display / Score Box (HUB) Installation

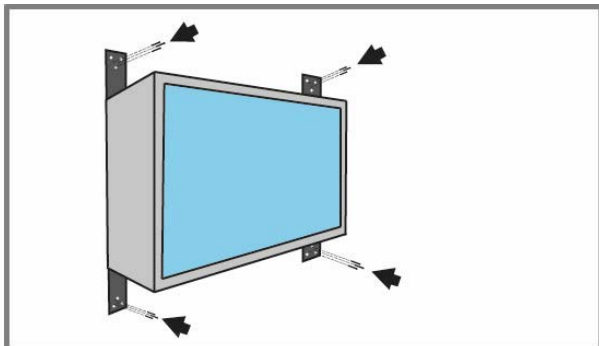
- Fix HUB using any suitable self-tapping or wood screws into the surface material. The HUB can be recessed to be flush with the surface or affixed on top of the foam-backed vinyl if necessary.
- **Note:** Cables exit is at the rear of the display box.
- Grips 1-5 are intended to be closest to the Score Box, a maximum of 5m distance away
- Grips 2 and 3 operate the quick start game functions.

01



Hold the main body in place, and ensure it is level.

02



Use appropriate fixings and mount the display box to the wall.

Note: Make sure everything is tight and secure and that no cables are trapped.

Attach all cables from the interactive grips to the score box. Cables 2 and 3 operate the quick start functions so these grips should be positioned in a suitable location.

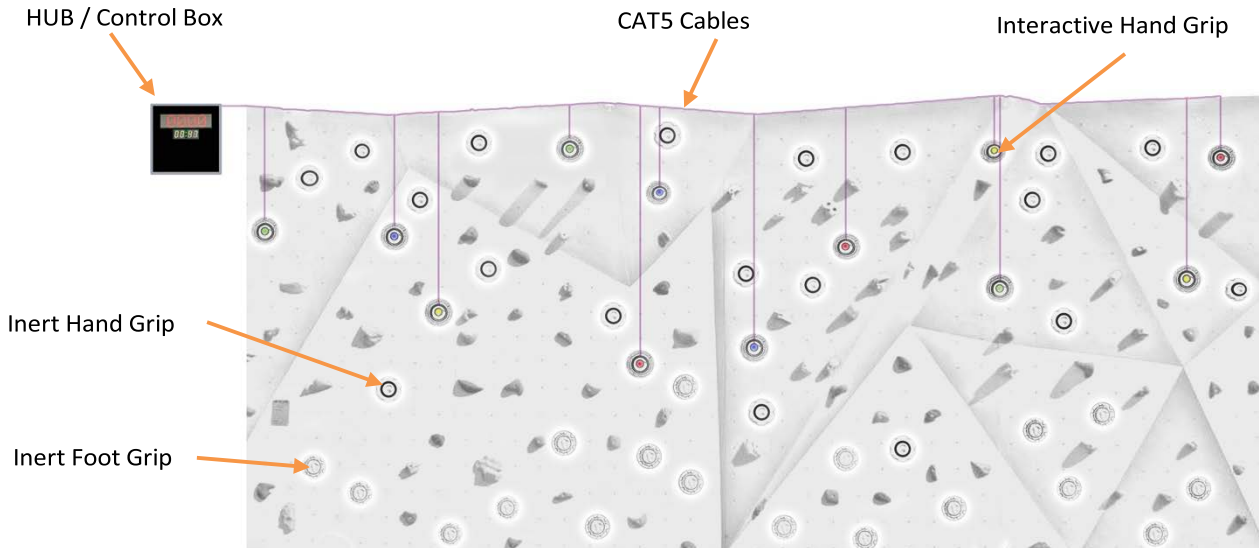


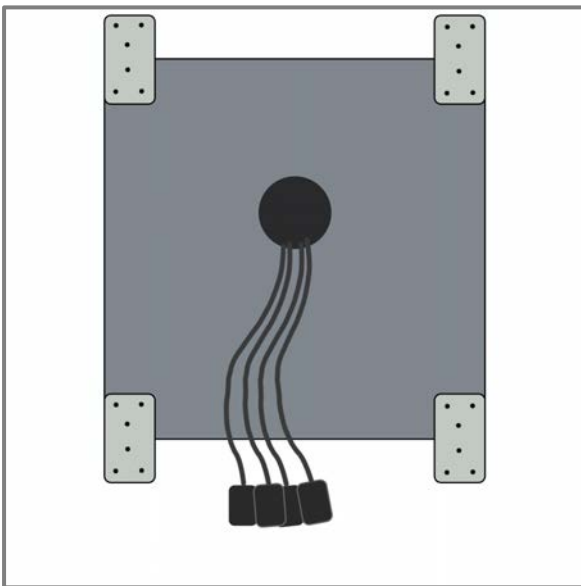
Figure 1: Typical TrailBlazer GripKit Installation

Interactive Grips to Score Box (HUB) Installation

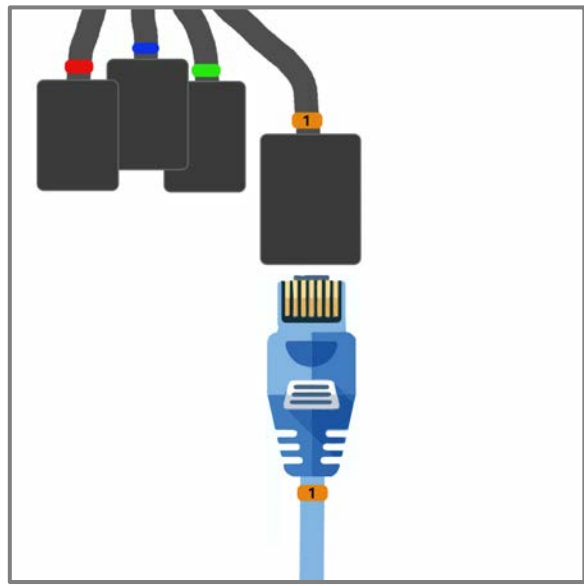
Notes:

- All supplied CAT5 cables will be numbered. Attach correctly the numbered cable to the designated hanging cable exiting the back of the HUB and attach it to the interactive grip.

01



Attach CAT5 cables from the hanging cables on the Hub to the RJ45 connector for the relevant grip.



All connectors will be numbered from 1 to 16, match the number on the CAT5 cable to the correct hanging cable from the HUB and connect to the assigned grip.

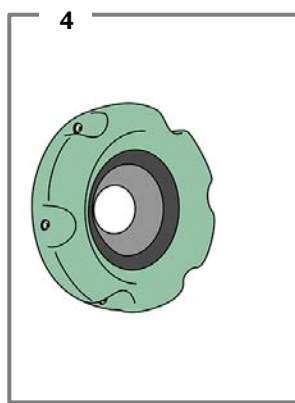
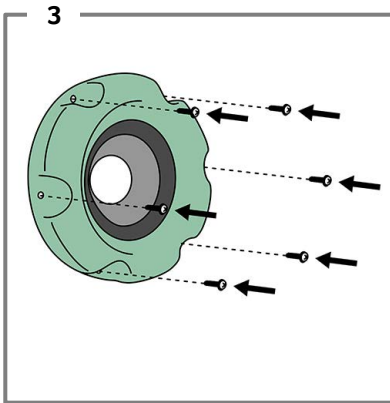
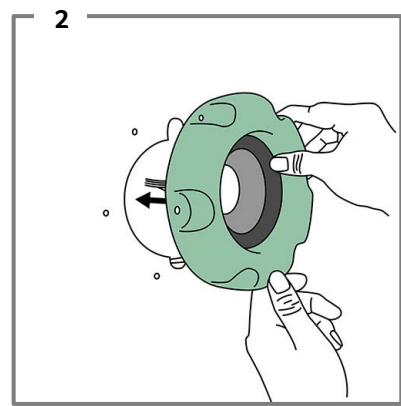
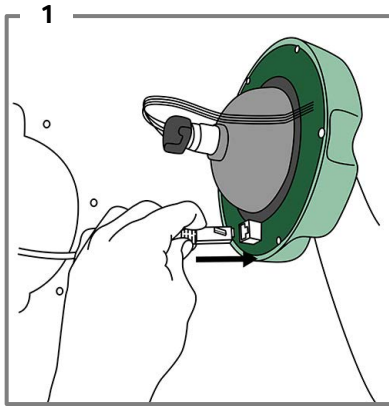
Grip Installation and Removal

Installing the Grips

Read this manual before removing or installing any grips.

Power off the TrailBlazer unit.

Use only the self-tapping screws supplied by Rugged Interactive unless specific approval has been given.

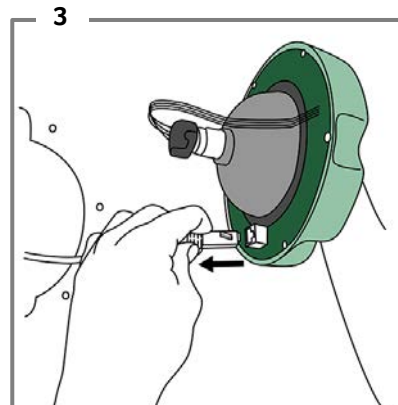
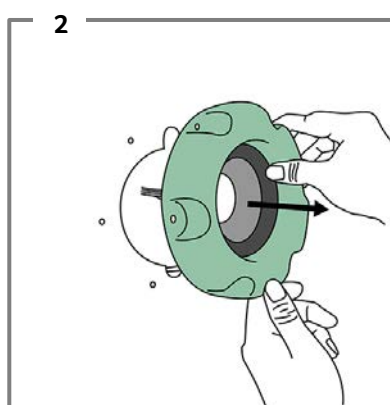
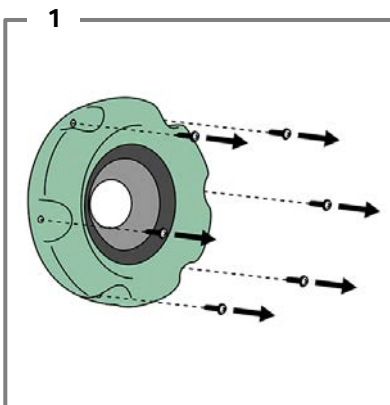


NOTES:

Ensure CAT5 cable is not strained or trapped. Do not overtighten grip screws.

Power on the TrailBlazer Climbing wall and check operation.

Removing the Grips





Rugged Interactive

Unit 1, Callywith Court
Callywith Industrial Estate, Bodmin
Cornwall, UK
PL31 2RQ

+44 (0) 1726 981 123
www.rugged-interactive.co.uk
hello@rugged-interactive.co.uk

Section 4 - How to Use

4.1

The TrailBlazer GripKit has **two programs**:

1. **Cascade** – 1 minute
2. **Chaser X4** – 1 minute

The GripKit will feature two **red pods** (cable two and three. Hit a QuickStart button to start the program.

NOTE: At any time, if the TrailBlazer behaves unexpectedly, wait for at least 30 seconds for the unit to reset to its idle state.



Rugged Interactive

Unit 1, Callywith Gate
Callywith Industrial Estate, Bodmin
Cornwall, UK
PL31 2RQ

+44 (0) 1726 981 123

www.rugged-interactive.co.uk

hello@rugged-interactive.co.uk

Section 5 - Programs Guide

Cascade

- Summary:** A high intensity challenge of speed and visual awareness. Ideal for developing and challenging physical coordination, hand-eye coordination, core stability and reaction time and speed. A fast and high scoring game.
- Who for:** Play individually, in pairs or as a team.
- Gameplay:** All pods will illuminate. The pods will firstly appear **blue**, then change to **green**, then **yellow**, then finally **red**. Each colour change takes 3 seconds - therefore 12 seconds in total before a pod position change. Once all lit pods are cleared, a new set of lit pods will appear.
- Aim:** To score as many points as possible with in the given time limit by hitting the illuminated pods.
- Scoring system:** +4 points for each **blue pod** hit
+3 points for each **green pod** hit
+2 points for each **yellow pod** hit
+1 point for each **red pod** hit
- Duration:** 1 minute.
- Why not try:** 'Tag team': When a player slips off or touches the ground with their feet, another player takes over. This doubles the number of active participants, adds to the pressure and the fun, and rewards climbing precision.

NOTE: At any time, if the GripKit behaves unexpectedly during gameplay, wait for at least 30 seconds of inactivity for the unit to reset to its idle state.

Chaser X4

- Summary:** A pure speed and reaction challenge which also tests peripheral vision and spatial awareness. A mental and physical test, encouraging competition, cooperation and social interaction. A game that requires accuracy, problem solving and patience to reach a high score.
- Who for:** 1-4 individual players, or 3-4 teams of 2 players alternating on the TrailBlazer. Best played in a group – challenge each other to the highest score.
- Gameplay:** 1 **red** pod, 1 **blue** pod, 1 **green** pod and 1 **yellow** pod are lit at random. On selection of a coloured pod, it reappears elsewhere. I.e. if the **red** pod is hit, the **red** pod reappears elsewhere. This would be the same for the **blue**, **green** and **yellow** chaser pod. Each player chases his or her chosen coloured pod.
- Aim:** To hit as many lit pods with in the given time limit as possible.
- Scoring system:** +1 point for each pod hit
- Display at the end of the game will display “BLUE WINS” or “GREEN WINS” or “RED WINS” or “YELLOW WINS” depending on who has the highest score. If the top two scores are the same, the display should show “GREEN + BLUE WIN”, etc. If all three or four colours have the same score, the display should show “DRAW”. This will flash in turn with the winning/highest score: e.g. “SCORE: 18”.
- Duration:** 1 minute.

NOTE: At any time, if the GripKit behaves unexpectedly during gameplay, wait for at least 30 seconds of inactivity for the unit to reset to its idle state.



Rugged Interactive

Unit 1, Callywith Court,
Callywith Industrial Estate,
Bodmin, Cornwall, UK
PL31 2RQ

+44 (0) 1726 981 123

www.rugged-interactive.co.uk

hello@rugged-interactive.co.uk

TrailBlazer GripKit System Specifications

Dimensions and Weights:

	Approx. Shipment Details		Fully Assembled Details	
	Size (mm)	Weight	Size (mm)	Weight
Interactive Grip (<i>single unit</i>)	-	-	190 Ø x 140	400 g
Inert Grip (<i>single unit</i>)	-	-	190 Ø x 80	200 g
Display / Score Box (HUB)	-	-	380 x 75 x 380	3 kg

Power Supply:

AC: 110-230V, 50-60Hz, 13A

Warranty:

1 year on electronics. 3 years on all other parts.

Regulatory Requirements:

CE Approved.

Operating Environment:

Indoors: keep dry and out of direct sunlight.

Area required clear in front of the TrailBlazer GripKit: depth of 1 m minimum.

Optimum ambient temperature: 5°C to 30°C. Avoid extreme fluctuations of temperature.

Other:

All parts designed for easy maintenance. Replacement grips can be swapped out by staff in seconds.

Mounting Points and Dimensions:

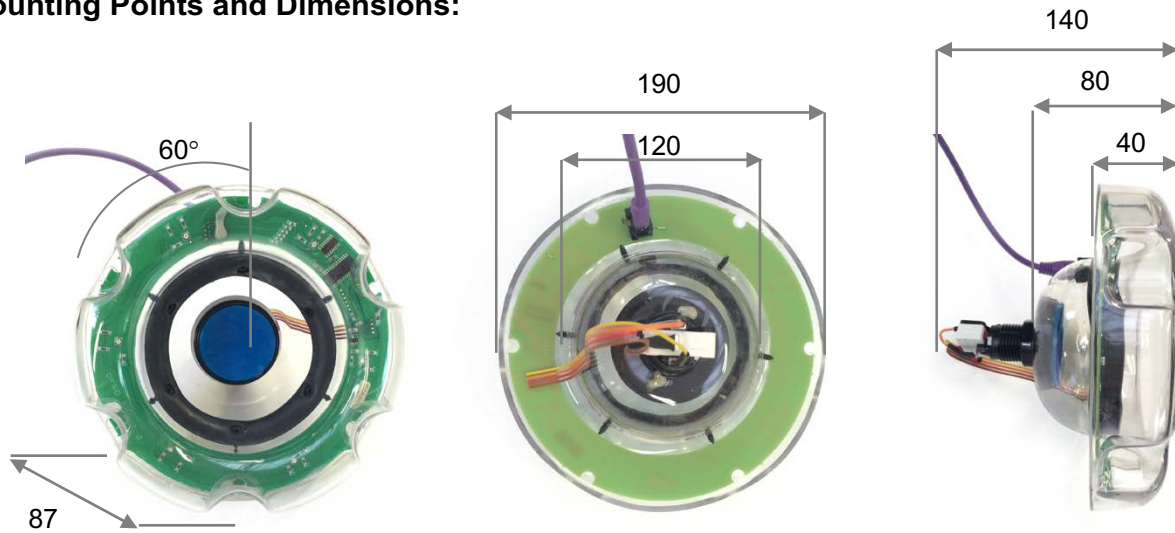


Figure 2: Interactive Grip Mounting Points and Dimensions
(Dimensions in mm)

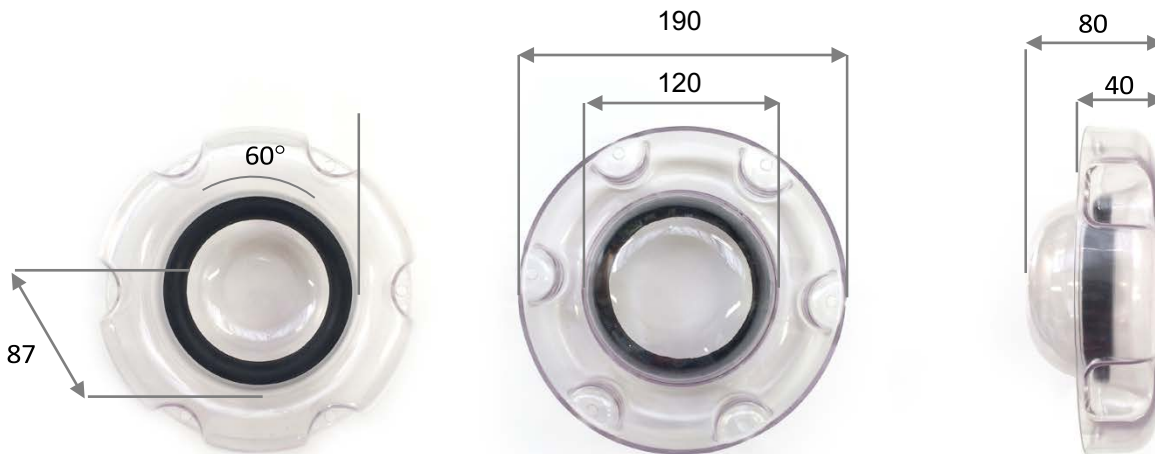


Figure 3: Inert Grip Mounting Points and Dimensions
(Dimensions in mm)



■ Features

- Universal AC input / Full range
- 2 pole AC inlet IEC320-C8
- Medical safety approved (2 x MOPP between primary to secondary)
- Suitable for BF application with appropriate system consideration
- Low leakage current <50uA
- No load power consumption<0.1W
- Energy efficiency level VI(Except 5~9V for Level V)
- Comply with EISA 2007/DoE,NRCan, AU/NZ MEPS, EU ErP and meet CoC Version 5
- Built-in active PFC function
- High efficiency up to 91.5%
- Fanless design with -30~+60°C working temperature
- Class II power (without earth pin)
- Protections: Short circuit / Overload / Over voltage / Over temperature
- Fully enclosed plastic case
- LED indicator for power on
- 100% full load burn-in test



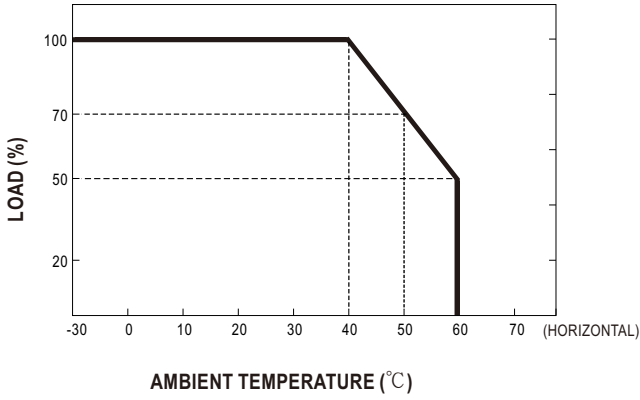
Power Supply Specification

SPECIFICATION

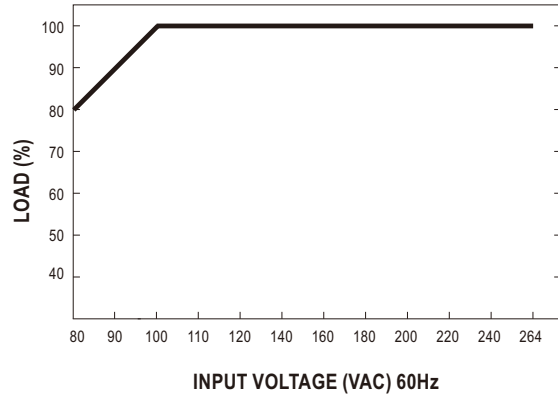
PRODUCT		GSM60B12-P1J	
OUTPUT	SAFETY MODEL NO.	GSM60B12	
	DC VOLTAGE <small>Note.2</small>	12V	
	RATED CURRENT	5A	
	CURRENT RANGE	0 ~ 5A	
	RATED POWER (max.)	60W	
	RIPPLE & NOISE (max.) <small>Note.3</small>	100mVp-p	
	VOLTAGE TOLERANCE <small>Note.4</small>	± 3.0%	
	LINE REGULATION <small>Note.5</small>	± 1.0%	
	LOAD REGULATION	± 3.0%	
	SETUP, RISE TIME <small>Note.6</small>	1000ms, 30ms / 230VAC 1500ms, 30ms / 115VAC at full load	
HOLD UP TIME (Typ.)	50ms / 230VAC 15ms / 115VAC at full load		
INPUT	VOLTAGE RANGE <small>Note.7</small>	80 ~ 264VAC 120 ~ 370VDC	
	FREQUENCY RANGE	47 ~ 63Hz	
	EFFICIENCY (Typ.)	88%	
	AC CURRENT (Typ.)	1.4A / 115VAC 1A / 230VAC	
	INRUSH CURRENT (Typ.)	30A / 115VAC 65A / 230VAC	
	LEAKAGE CURRENT(max.)	Touch current < 50µA/264VAC	
PROTECTION	OVERLOAD	105 ~ 160% rated output power Protection type : Hiccup mode, recovers automatically after fault condition is removed	
	OVER VOLTAGE	12.6 ~ 16.2V Protection type : Shut down o/p voltage, re-power on to recover	
	OVER TEMPERATURE	Shut down o/p voltage, re-power on to recover	
ENVIRONMENT	WORKING TEMP.	-30 ~ +60°C (Refer to "Derating Curve")	
	WORKING HUMIDITY	20% ~ 90% RH non-condensing	
	STORAGE TEMP., HUMIDITY	-40 ~ +85°C, 10 ~ 95% RH	
	TEMP. COEFFICIENT	± 0.03% / °C (0 ~ 40°C)	
	VIBRATION	10 ~ 500Hz, 2G 10min./1cycle, period for 60min. each along X, Y, Z axes	
SAFETY & EMC (Note. 8)	SAFETY STANDARDS	ANSI/AAMI ES60601-1 / ES60601-1-11, TUV EN60601-1 / 60601-1-11 approved	
	ISOLATION LEVEL	Primary-Secondary: 2xMOPP	
	WITHSTAND VOLTAGE	I/P-O/P:4KVAC	
	ISOLATION RESISTANCE	I/P-O/P:100M Ohms / 500VDC / 25°C / 70% RH	
	EMC EMISSION	Compliance to EN55011(CISPR11) class B, EN61000-3-2,3, FCC PART 15 class B,CAN ICES-3(B)/NMB-3(B)	
	EMC IMMUNITY	Compliance to EN61000-4-2,3,4,5,6,8,11, EN55024, EN60601-1-2, EN61204-3 medical level, criteria A	
OTHERS	MTBF	720K hrs min. MIL-HDBK-217F(25°C)	
	DIMENSION	125*50*31.5mm (L*W*H)	
	PACKING	0.32Kg; 40pcs/13.8Kg/1.05CUFT	
CONNECTOR	PLUG	See page 3 ; Other type available by customer requested	
	CABLE	See page 3 ; Other type available by customer requested	
NOTE	<ol style="list-style-type: none"> All parameters are specified at 230VAC input, rated load, 25°C 70% RH ambient. DC voltage: The output voltage set at point measure by plug terminal & 50% load. Ripple & noise are measured at 20MHz by using a 12" twisted pair terminated with a 0.1uf & 47uf capacitor. Tolerance: includes set up tolerance, line regulation, load regulation. Line regulation is measured from low line to high line at rated load. Length of set up time is measured at first cold start. Turning ON/OFF the power supply may lead to increase of the set up time. Derating may be needed under low input voltages. Please check the derating curve for more details. The power supply is considered as an independent unit, but the final equipment still need to re-confirm that the whole system complies with the EMC directives. For guidance on how to perform these EMC tests, please refer to "EMI testing of component power supplies." (as available on http://www.meanwell.com) 		



Derating Curve

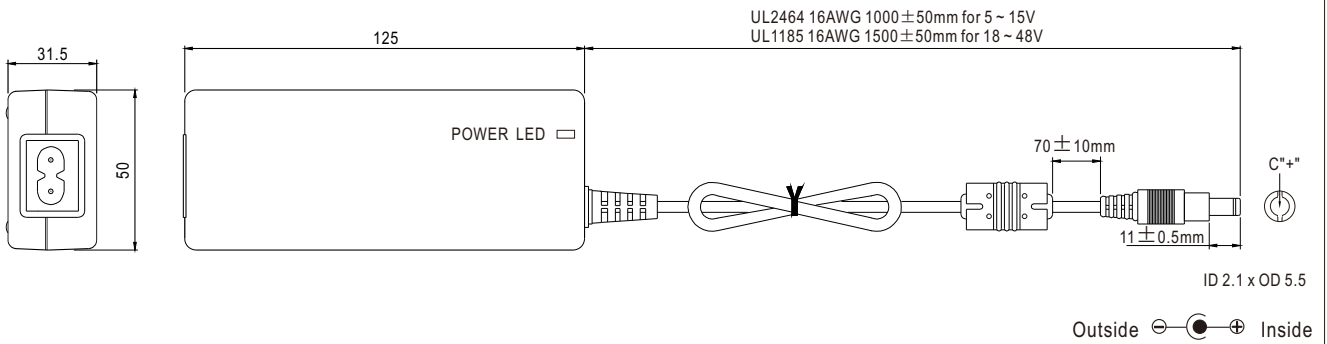


Static Characteristics



Mechanical Specification

Case No. GSM60B Unit:mm



Plug Assignment

Standard plug: P1J

P1J	
P/N	OUTPUT
CENTER	+



Rugged Interactive

Unit 1, Callywith Court,
Callywith Industrial Estate,
Bodmin, Cornwall, UK
PL31 2RQ

+44 (0) 1726 981 123

www.rugged-interactive.co.uk

hello@rugged-interactive.co.uk

TrailBlazer GripKit Installation Checklist

Please complete this checklist after any installation:

Check 1: Pre-power up checks.

- Equipment is stable and secure capable of supporting its weight and gameplay.
- All fixings are tight and secure.
- No signs of damage, component failure and/or missing parts.
- No trapped and/or pinched cables.
- No loose cables that could become a tripping hazard.
- All long cables are supported at least every 50 cm.
- Adequate strain relief provided for connection points.
- Kept out of direct sunlight during the day.
- All electric components away from contact with water.
- Protective plastic sheets removed from front graphic panels.

Check 2: Plug into a mains socket and power up.

- All interactive grips light up.
- Text appears on the hub display and is as expected. *E.g. TrailBlazer Traverse.*
- Sound volume is at a suitable level*.

Check 3: Select Cascade via Quick Start.

- Program counts down from 3 and begins.
- All grips active and operational.
- Check all grips for colours: blue, green, yellow, red.
- Sounds can be heard when the lights are hit.
- Program plays as described in the Programs Guide.

Check 4: Ready for use.

Play area is clear.

Instruction / training carried out by an appropriate instructor to all new users.

If anything unexpected occurs or problems persist after troubleshooting, call Rugged Interactive directly on +44 (0) 1726 833 882.

* The volume can be adjusted on the scoreboard. The volume control (a black dial) is located on the bottom edge of the scoreboard between the speakers. Rotate clockwise for volume up, counter-clockwise for volume down.



Rugged Interactive

Unit 1, Callywith Gate
Callywith Industrial Estate, Bodmin
Cornwall, UK
PL31 2RQ

+44 (0) 1726 981 123

www.rugged-interactive.co.uk

hello@rugged-interactive.co.uk

Next Steps

Train team members

Train your team members on how to use TrailBlazer GripKit, having knowledge of the gameplay will help them encourage users. Inspire them to cheer and celebrate with the customers when they achieve high scores.

Maintenance

General care and maintenance procedures for your Rugged Interactive product.

1. Inspect the product daily for any signs of damage or loose components. Repair or tighten as applicable.
2. Turn on the product, check the LEDs and sound is working as expected.
3. Start a game, check all pods/sensors work and react as expected. Please refer to the manual for instructions on gameplay.
4. We suggest non-solvent glass cleaning spray, avoid spraying directly onto the pods. Use a non-abrasive microfibre cloth and extremely light pressure when wiping the product. Too much pressure will scratch the graphics panel.
5. Only use accessories recommended by the manufacturer with the products. Accessories not recommended could cause serious damage.
6. Every three months check the fixings are tight.
7. Once a year, check the structure supporting the product is still solid.
8. We recommend turning the products off when they are not in use (close of business), this will help to extend the life of the product.

Marketing

With this being such an eye-catching product, it is excellent for use in posts on social media, either featuring in photos or videos.

If you would like any help, guidance or examples of using this product in your marketing campaign, please contact Rugged Interactive and we will be able to assist with this.



Rugged Interactive

Unit 1, Callywith Gate
Callywith Industrial Estate, Bodmin
Cornwall, UK
PL31 2RQ

+44 (0) 1726 981 123
www.rugged-interactive.co.uk
hello@rugged-interactive.co.uk

Congratulations!

Congratulations on your new Rugged Interactive product! Your customers are going to love this, and it is a great addition to your venue!

If there is anything we can assist with or if you would be interested in information about any other Rugged Interactive products, then please do not hesitate to get in contact.